



**82-70 PINSPOTTER  
PARTS**

# WHEN YOU BUY GENUINE AMF 82-70 PARTS, YOU CAN BE 100% CERTAIN ABOUT EVERYTHING.

Choosing Genuine AMF 82-70 replacement parts is choosing certainty over uncertainty.

- You can be certain we manufacture 82-70 parts to original OEM quality
  - Genuine AMF parts are always compatible and always durable.
- You can be certain we have every 82-70 part you might need
  - And that we'll have the part every time.
- You can be certain we'll fill your order – With a fill rate of 98%, we're the industry leader.
- With our 100% money back guarantee, you can be certain of satisfaction
  - We stand behind our parts – and you.

## TABLE OF CONTENTS

### FRONT END

Bin Assembly .....	6
Cable & Wire Assemblies .....	8
C-1 Cable Assembly .....	9
C-2A Harness Assembly .....	10
Cell Assembly Respot .....	12
Front End Drive Assembly .....	14
Front End Electrical Installation Lh .....	16
Front End Electrical Installation Rh .....	18
MP Chassis Assembly .....	20
Respot Cell Number 7 Assembly .....	22
Shuttle Assembly .....	24
Shuttle Operator & Solenoid Assembly .....	25
Solid State Chassis .....	26
Spot & Respot Link Assembly .....	28
Spot & Respot Tie Rod Installation .....	29
Counter Balance Spring Eye Repair Kit .....	30
Sweep & Table Cam Switch Assembly .....	31
Sweep Assembly .....	32
Sweep Bar Mounting Assembly .....	33
Switch Assembly Table Assembly .....	34
Table Assembly .....	36
Table Drive Assembly .....	38
Table Torque Tube Assembly .....	40
Table Torque Tube Assembly – Old .....	41
Table Wireway Assembly .....	42

### BACK END

Backend Assembly Parts .....	46
Backend Control Box .....	47
Bounce Plate & Roller Assemblies .....	48
Carpet Belts .....	49
Cushion, Shock Absorber & Curtain Support Assemblies .....	50
Kickback Assembly Ball Door Side .....	52

Kickback Assembly Opposite Side .....	53
Motor Bracket Assembly .....	54
Pin Elevator Assembly .....	55
Rear Roller Repair Kit .....	56
Velcro Cushion Cover .....	57
Yoke And Spotting Cup Assembly .....	58
Wire Harness Sweep Cam Switch & Table Cam Switch .....	60

### DISTRIBUTOR

Distributor Assembly .....	62
Distributor Belts .....	66
Distributor Drive Shaft Assembly & Clutch Assembly .....	67
Rough Top Belt Skiver .....	68

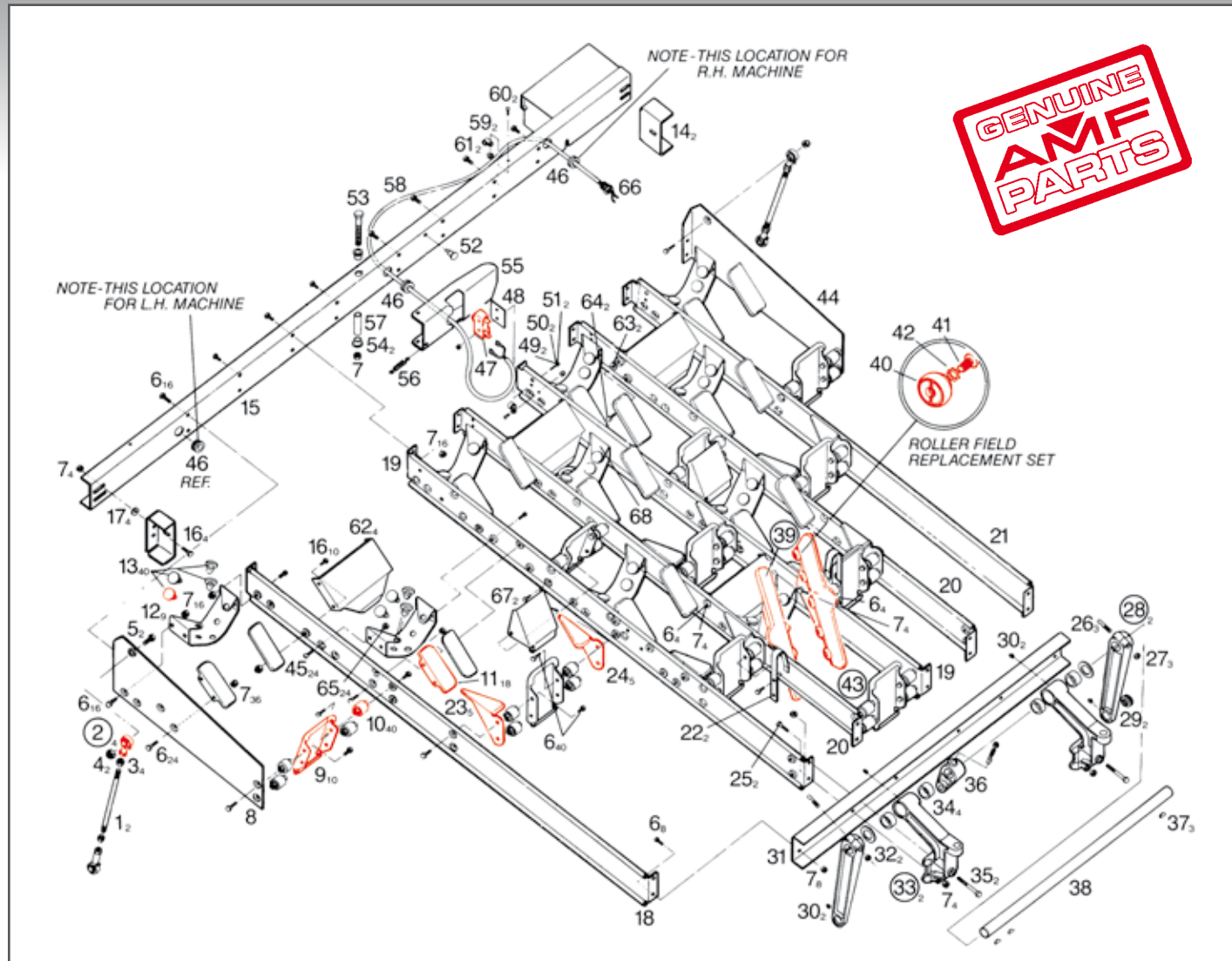
### BALL RETURN

Adjustable Speed Rudder Drive Sheave .....	70
Adjustable Speed Sheave .....	71
Ball Lift Assembly .....	72
Ball Lift Pressure Kit .....	74
Belt Tensioner Assy – Old Version .....	75
Belt Tightener Assembly .....	76
Gripper Kit & Gripper Replacement Parts .....	77
Kicker Ball Lift .....	78
Kicker Rollers .....	80
Pbl Tensioner Assembly New Version .....	81
Light Ball Sensor Assembly .....	82
Positive Ball Lift .....	84
Ratchet Assembly .....	86
Spring Loaded Drive Link Assembly & Pbl Plus Conversion Kit .....	88

Obsolete Cross Reference List .....	89
Repair Exchange Program .....	109
Parts Index .....	113



## FRONT END



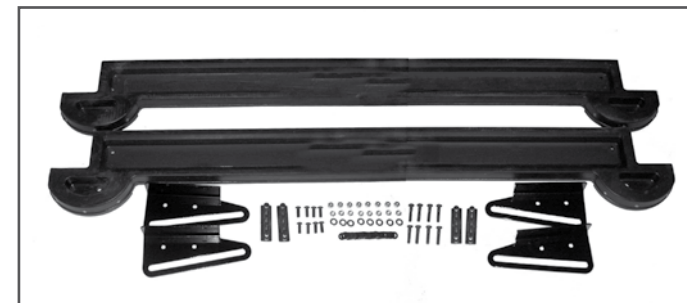
**GENUINE  
AMF  
PARTS**

**BIN ASSEMBLY**

ITEM	PART NUMBER	DESCRIPTION
1	070006351	Rod-Bin Assembly
2	000026446	Rod End
2A	090005250	Rod End
3	835566002	3/8-24 Hex Stl Thin Nut
4	844065002BG	Nut-Str 3/8-16 (Bag 10)
5	809865165BG	Screw-Hex 3/8-16 X 1 (Bag 10)
6	809849085	Screw-Hex 1/4-20 X 1/2
7	844049002BG	1/4-20 Lock Nut (Bag 10)
8	070006370	Guide-Pin-Lh-Bin Assembly (7 Side)
9	070006364	Spacer-But Guide-Bin
10	070006354BG	Shock Mount-Bin Assembly (Bag 10)
11	070006353	Guide-Pin-Bin Assembly
12	070006359	Brkt-Bin Assembly
13	000021992BG	Bumper-Grommet #2250 (Bag 10)
14	070006371	Brkt-Supt-Bin Assembly
15	070006360	Channel Long Weldment
16	809849125	Screw-Hex 1/4-20 X 3/4
17	948753102BG	Washer-9/32 X 5/8 X 1/16 (Bag 10)
18	070006377	Stringer 4 Pin L.H. (7 Side)
19	070006372	Stringer Ctr Rh
20	070006373	Stringer #1 Pin Lh
21	070006376	Stringer-Outside Rh (10 Side)
22	070006389	Guide-Pin 1
23	070006381	Guide-Pin 6-Bin Assembly
24	070006380	Guide-Pin 4-Bin Assembly
25	809849285BG	Screw-Hex 1/4-20 X 1 3/4 (Bag 10)
26	070006403	Stud-Clamp-Bin Assembly
27	831565002BG	3/8-16 Hex Steel Machine Nut (Bag 10)
28	070006429	Arm Cstg Assembly Lh & Rh
29	000029614	Heim Unibal
30	710501007	Fittng-Almte 1792B
31	070006363	Channel-Short
32	701329050BG	Bearing Th .8905 X 1.5 X 1/8 (Bag 10)
33	070006358	Brkt Assembly-Bin Assembly
34	900114101BG	Bearing Sl .877 X 1.128 X 5/8 (Bag 10)

ITEM	PART NUMBER	DESCRIPTION
35	809849485BG	Scr-Hx 1/4-20X3 (Bag 10)
36	070006408	Lever-Bin Assembly
37	907000600BG	Key-Hy Pro 706 (Bag 10)
38	070006402	Shaft-Bin Assembly
39	070006386	Track Assy L H (7 Side)
40	000026251BG	Bearing Respot Cell (Bag 10)
41	813540082BG	Screw-Trhd 10-32 X 1/2 Cd (Bag 10)
42	957100002BG	#10 Ext Tooth Lockwasher. Pltd (Bag 10)
43	070006388	Track Assy R H (10 Side)
44	070006369	Guide-Pin Rh-Bin Assembly (10 Side)
45	808549080BG	1/4-20 X 1/2 Hex Sckt Butthd Cap (Bag 10)
46	711516020	Grmt-Atl 1/2ld *2861
47	000026043	Switch-Micro
48	000021575	Insulator
49	818227162BG	Screw-Smrd 6-32 X 1 (Bag 10)
50	843127002BG	Nut-Kep 6-32 Wash (Bag 10)
51	948631062	Washer #6 Sae Flat Washer
52	070006142BG	Bumper (Bag 10)
53	809849605BG	Screw-Hex 1/4-20 X 3/4 (Bag 10)
54	900206091BG	Bearing Fl. (.562 X .688 X .378) (Bag 10)
55	070006356	Switch Actuator-Bin
56	000022168	Spring Sweep Brake
57	070006108	Spacer-Roler Ay-Dist
58	070006272	Switch Cable Assm
59	744203014	Clamp-Burndy Hp-6N
60	818233082BG	Screw-Smrd 8-32 X 1/2 (Bag 10)
61	843133002BG	Nut-Kep 8-32 Wash (Bag 10)
62	070006366	Spacer-Guide Pin Hed
63	070006390	Spacer
64	809849165BG	Screw-Hex 1/4-20 X 1 (Bag 10)
65	840049002BG	Nut Flex 1/4-20 (Bag 10)
66	746001016	Cnectr-Str #3302 1/2
67	070006365	Spacer-Head Guid.Bin
68	070006384	Brkt-Pin 5

**SWEEP BAR FOR 2 MACHINES**



- Features:
- Single piece construction, virtually unbreakable
  - Lighter than old multi-piece type sweep

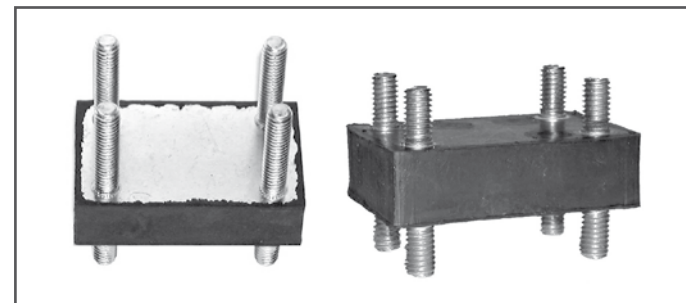
**Product Code 610700150**

**NEW! SWEEP BAR KIT 90 - STYLE**

Replaces slide bars and tube-style sweep all at once.

**Product Code 610703060**

**SWEEP SHOCK MOUNT**



- Features:
- New design prevents stud spin-out
  - Flexible enough to prevent damage to the sweep links
  - Rubber is inside the plate

**Product Code 070003195 & 090006136**

NOTE : Sweep bar, sweep bracket and sweep shock mount located on page 30

**BIN SHOCK MOUNT ASSEMBLY (BAG 10)**



- Features:
- Encapsulated inserts
  - Soft rubber
  - Max deflection-good absorption
  - Extends life of runners and pin butts
  - Nut is inside which prevents it from breaking off

**Product Code 070006354BG**

**SWEEP BRACKET RH & LH**

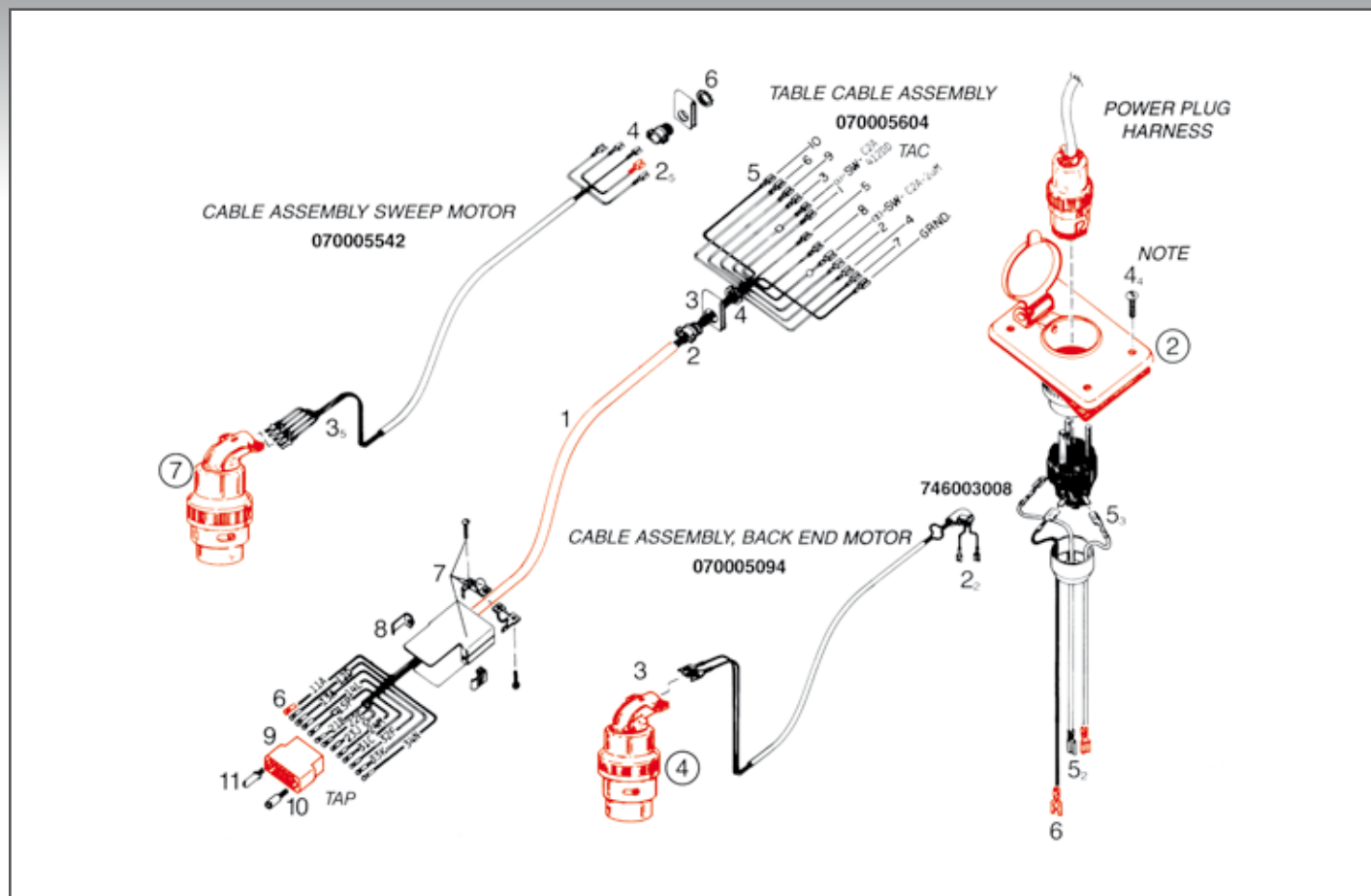


- Features:
- 10 gauge steel/metal
  - Redesigned cross section to 1/4" wide
  - Optimizes weight to strength
  - Minimizes stress on bushings, shock mounts and motor load

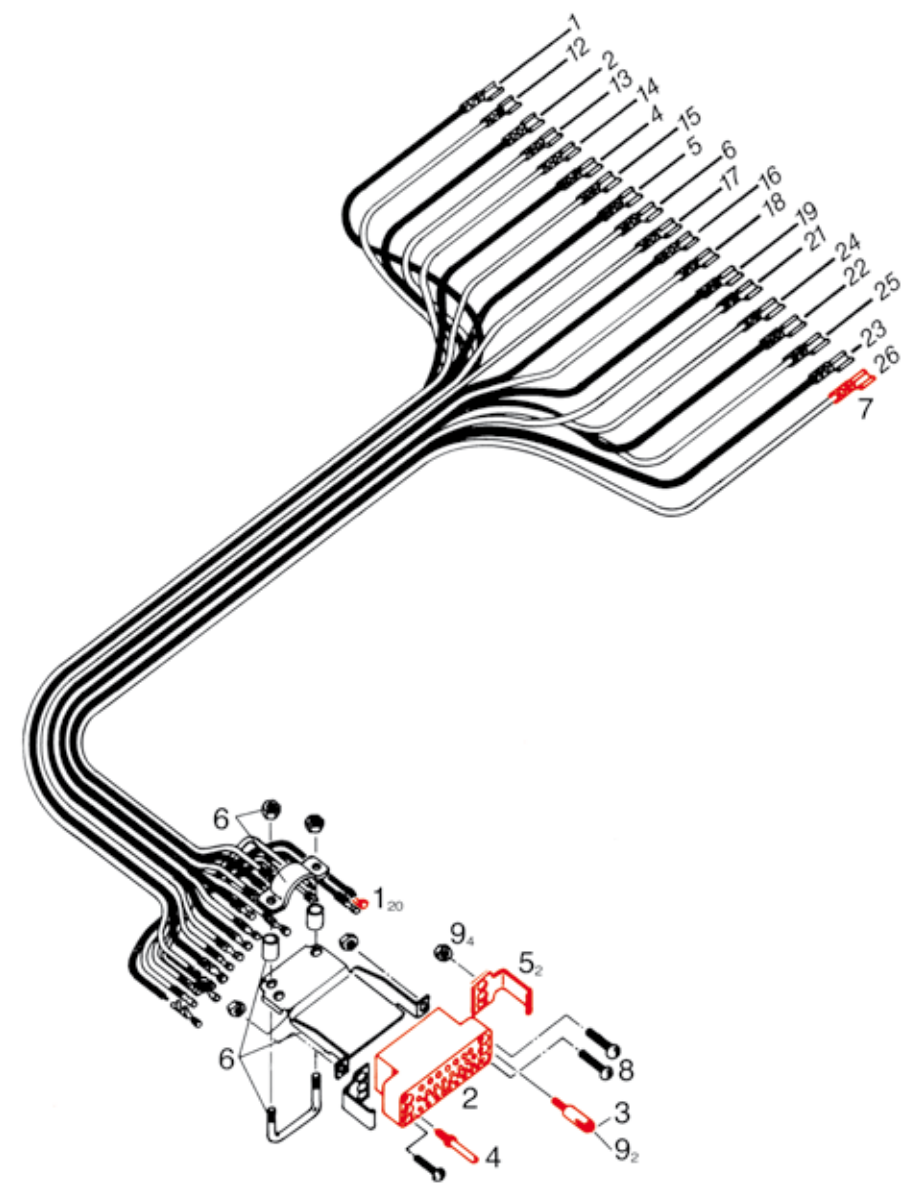
**Product Code 000023170 & 000023171**

**SLIDE - FREE SWEEP BRACKET**

**Product Code 090001170 & 090001171**



WIRE NO.	COLOR	DESTINATION	
		PIN NO.	T.S. NO.
1	BLACK	42 H	18
2	BLACK	41 C	18
4	BLACK	46 AA	19
5	BLACK	45 W	19
6	BLUE	19 NN	35
12	YLLW	33 K	12
13	PURPLE	23 N	27
14	BLUE	24 T	23
15	WHITE	13 L	1A1
16	BLACK	22 J	7
17	BLUE	21 D	1A1
18	GRAY	28 LL	TSG2
19	BLACK	47 EE	18
21	RED	44 S	8
22	BLACK	36 Y	3
23	BLACK	31 A	22
24	WHITE	16 Z	17
25	RED	32 E	20
26	WHITE	34 P	17



CABLE & WIRE ASSEMBLIES

ITEM	PART NUMBER	DESCRIPTION
Cable Assembly Sweep Motor		
2	760017036	Term-Strait Amp41729
3	760015038	Terminal, Flat Spade
5	000025183	Clamp Washer - (OBS)
7	000027660	Plug-Female
Cable Assembly-Backend Motor		
2	760017036	Term-Strait Amp41729
3	760015038	Term-Amp
4	000025907	Plug Female (2 Pin)

ITEM	PART NUMBER	DESCRIPTION
Table Cable Assembly		
1	940372000	Sleeving-Exp 1/2 Dia (Order 6 Ft.)
2	746001016	Cnectr-Str #3302 1/2
4	846100000	Nut K11/2Cndut Tb141
5	760017044	Term Str-Amp41772 RI
6	760019201Bg	Term Skt .062 Dia Lp (Bag 20)
7	000025049	Shield
8	000025557	Clip-Spg. Lock
9	000025078	Block-Termamp2012981
10	000028441Bg	Guide Socket
11	000028442Bg	Guide Pin
Power Plug Harness		
1*	754010336	Plug-3Wire 30A 125V
1A*	754010337	Plug Arrowhart 50 Hz
2*	755020359	Recpt-3Wire 30A 125V
4	812627122	Screw-Rdhd 6-32 X 3/4
5	760017036	Term-Strait Amp41729
6	760015055	Term-Spde 42168-2

NOTE: Later model components have flat terminals and must be used in pairs.

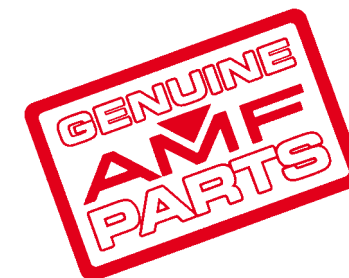
\* Metal Russel-Stoll plug and receptacle are no longer available. If replacing plug or receptacle, replace both.

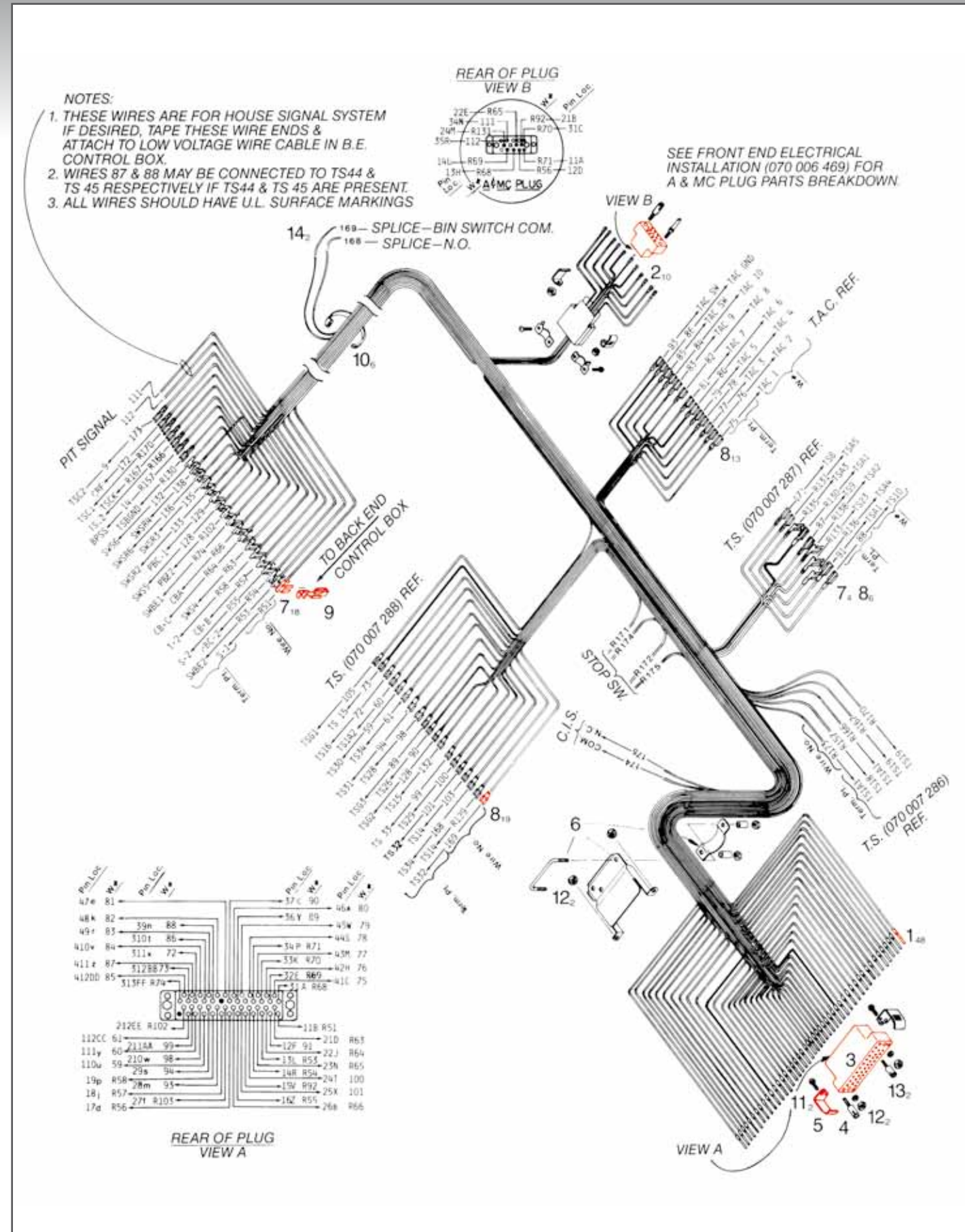
C-1 CABLE ASSEMBLY

ITEM	PART NUMBER	DESCRIPTION
1	760019201BG	Term Skt .062 Dia Lp
2	000025144	Plug Male 1-201357-1Amp9602p
3	000028441BG	Guide Socket
4	000028442BG	Guide Pin
5	000029013BG	Locking Spring Clip (Bag Of 2)

ITEM	PART NUMBER	DESCRIPTION
6	000029093	Clamp Strain Relvr
7	760017036	Term-Strait Amp41729
8	813321062BG	Screw Cd (Bag 10)
9	834821000BG	Nut-Hex 4-40 Brass (Bag 10)

Note: Use Amp Extracting Tool - 030 004 031 for terminal removal.





C-2A HARNESS ASSEMBLY

ITEM	PART NUMBER	DESCRIPTION
1	760011197BG	Term-Pin.062 Dia Lp (Bag 20)
2	760019201BG	Term Skt .062 Dia Lp v
3	000028409	Block-Termamp2013581
4	000028441BG	Guide Socket Bag(10)
5	000029013BG	Locking Spring Clip (Bag Of 2)
6	000029896	Clamp Strain Relvr
7	760006195	Term Flg .250 X .032 Lp

ITEM	PART NUMBER	DESCRIPTION
8	760017036	Term-Strait Amp41729
9	760022150	Term-18-14 Ga Wire
10	770011029	Tyrap-7.31 Inch Lg
11	813321062BG	Screw Cd (Bag 10)
12	834821000BG	Nut-Hex 4-40 Brass (Bag 10)
13	951020000BG	Wshr-Lk-Split # 4 (Bag 10)
14	746007105	Insulatd Line Splice

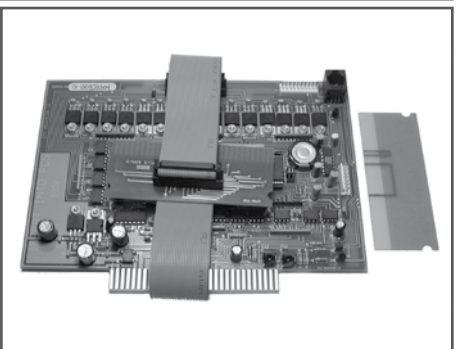
MP CHASSIS CONVERSION KIT



- Features:
- Complete Kit with Super Star Chassis
  - Includes Elco Mask Adapter
  - Sweep Reverse Wiring- For AMF Automatic Scoring Interface
  - Spotting Latch Override- Keeps latch from jamming during Strike Cycle
  - Less Chassis Repair/Replacement
  - Saves unnecessary Table Run when interfaced to AMF Automatic Scoring

Product Code 610070300

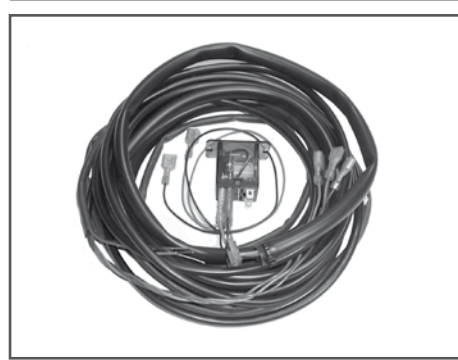
XOP BD W/OUT CABLE ASM



- Features:
- Works great to replace five boards in a five-board chassis.
  - Comprehensive status indicators
  - Single chip microprocessor
  - Solid state power Field Effect transistors
  - Low heat emission
  - Optically coupled inputs (surge protector)
  - Program (memory) reset
  - Software upgradable for future enhancements
  - Auto scoring interface: shortens strike cycle, auto sweep reverse 7-10 pick
  - By passes: KX relay:
  - Pin lamp triac
  - Capacitors #2 and 3
  - Diodes #2, 14 through 23

Product Code 620709870

XOP RELAY



Product Code 070009872

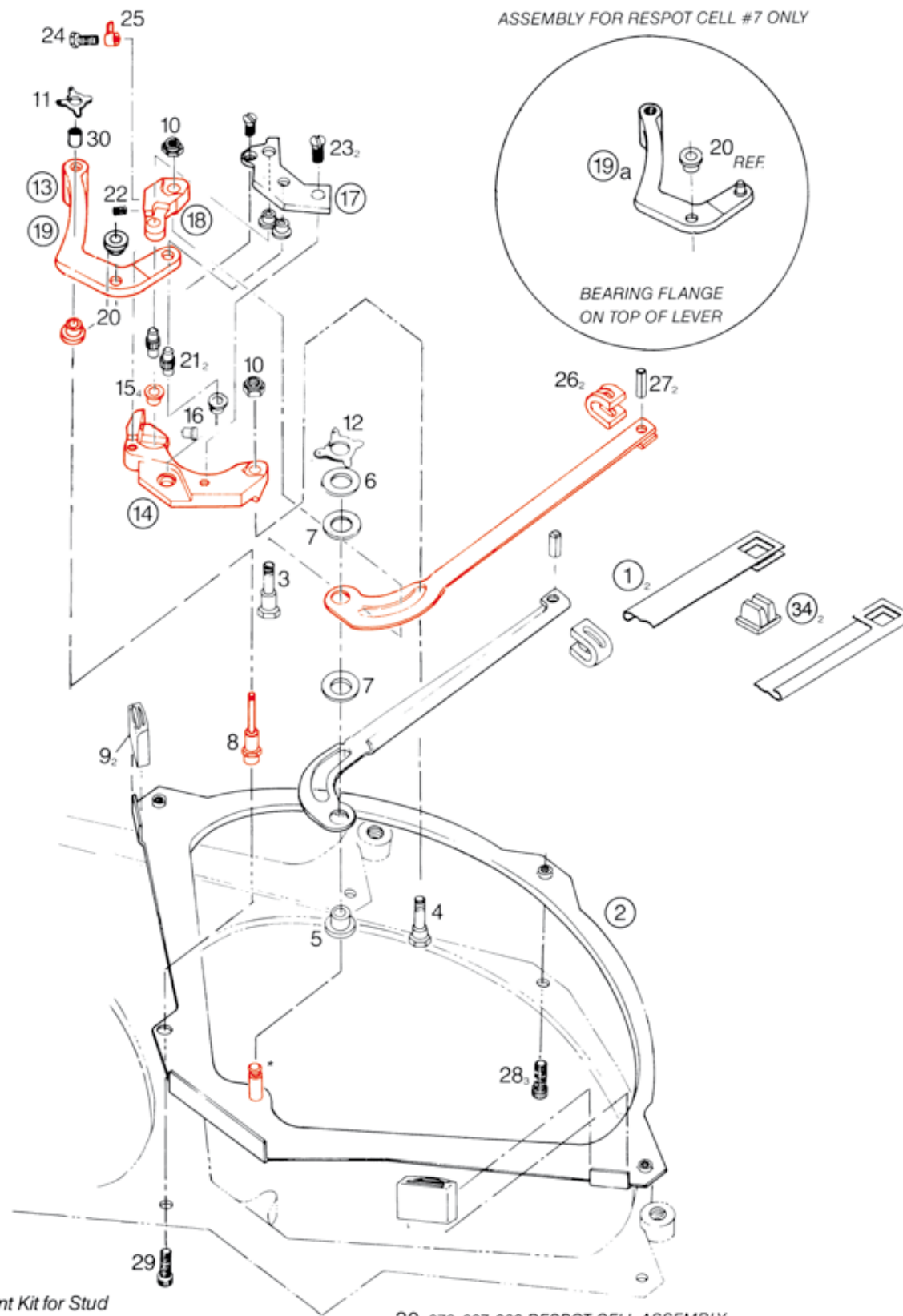
SUPER STAR MP CHASSIS 60HZ



- Features:
- New improved design features resettable breaker protection for all high-voltage circuits, colling fan, and stronger internal components.
  - 1st ball only: complete sweeps after one ball for optimal practice conditions
  - 9-pin strike: the pinspotter will run a strike cycle when one pin or less is left standing
  - Multiple pinspotter speeds: features 3 speeds: normal, medium, fast. Medium cycle is about 50% faster than normal 82-70 speed the fast cycle is about 100% faster
  - Shadow bowling
  - 3-ball frames the first two balls account for the first cycle and the third ball activates the second cycle
  - Easy control with state-of-the-art LED lights and switches
  - Separate status lights and controls for each 82-70
  - Six function control switches per lane
  - 47 Led status indicator lights per lane
  - Replaces either the 5 board or stepper chassis
  - Excellent serviceability
  - Off spot S/R: the pinspotter will perform a sweep reverse when an off spot condition occurs.
  - New technology is easier to support

Product Code 070003902

\* See page 103 for repair & Exchange program



\*Replacement Kit for Stud  
 070-002-650 Stud  
 840049002BG NUT FLEX 1/4-20 (BAG 10)

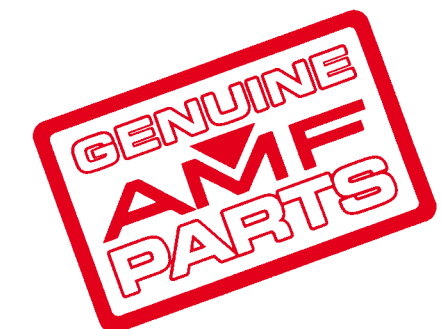
30 070-007-200 RESPOT CELL ASSEMBLY  
 SPOT CELL NO. 7 ASSEMBLY (REV. B)

CELL ASSEMBLY - RESPOT

ITEM	PART NUMBER	DESCRIPTION
1*	090004123	Respot Finger With Insert
2	070002792	Frame Respot Weld.
3	070007194BG	Stud-Long-Respt.Cell (Bag 5)
4	070007195BG	Sstud-Short-Respt.Cel (Bag 5)
5	070007196BG	Bearing Fl .252 X .485 X .560 (Bag 10)
6	070007192BG	Washer-Respot Cell Assembly (Bag 10)
6A	070007651BG	Nylon Washer - Top (Bag 10)
7	070007193BG	Spacer-Respot Cell (Bag 5)
7A	948975172BG	Spacer Steel (Bag 10)
8**	070007617BG	Stud-Pivot 5/16 (Bag 10)
8A**	070002654BG	Pivot Shaft 1/4 (Bag 10)
9	070002752BG	Bumper Extension (Bag 2)
10	844049002BG	1/4-20 Lock Nut (Bag 10)
11	963400002BG	Washer-X 3/16 9000-12 (Bag 10)
12	963200002BG	Washer-X 1/8 9000-8 (Bag 10)
13	070002647	Yoke Respot Assembly
13A	070002647	Yoke Respot Asy
14	070002629	Yoke Respot Asm
15	070002630BG	Bearing Fl .252 X .315 X .218 (Bag 20)
16	933623050	Rvt-Semi Tublr Stl

\* Item 1 is new style finger with square holes. Old style finger with round holes is no longer available.  
 \*\* With Item 8, no bushings used in boss of Item 19.  
 With Item 8a, bushings are used in boss of Item 19. 070002652BG BRG SL.252X.315X.5LG (Bag 20).

ITEM	PART NUMBER	DESCRIPTION
17	070002644	Plate Yoke Assembly
18	070002646	Arm Res Yoke Assembly
19	070007618	Lever Respot Assembly 9 Cell
19A	070007620	Lever Assembly N07 Cell
20	070002653BG	Bearing Fl .252 X .315 X .38 (Bag 20)
21	070002645	Shaft-Lever Ay-Respt
22	070002649BG	Spring (Bag 10)
23	070002750BG	Screw-Flhd-Respot&Yoke (Bag 10)
24	070002632BG	Scr-Adj-Respot Cell (Bag 10)
25	070002570BG	Insert Yoke Arm (Bag 5)
26	070007197BG	Insert-Respot-Plastic/ Round Hole (Bag 10)
27	913437100BG	Pin-Sprng .187 X 5/8 (Bag 10)
28	808640141BG	Screw-Soc Lk 10-32 X 7/8 (Bag 10)
29	808640121BG	Screw Soc Lk 10-32 X 3/4 (Bag 10)
30	070002652BG	Sleeve Bushing (Bag 10)
31	070006674	Cell Assembly #7 (New Style)
33	090004123	Respot Finger Assembly
34	792506033	Insert-Respot/ Square Hole
35	951138000BG	Wshr-Lk-Split # 10 (Bag 10)
36	610704001	Respot Cell Fgr Kit (Not Shown)



LEGEND TO DRAWINGS

LEGEND TO DRAWINGS

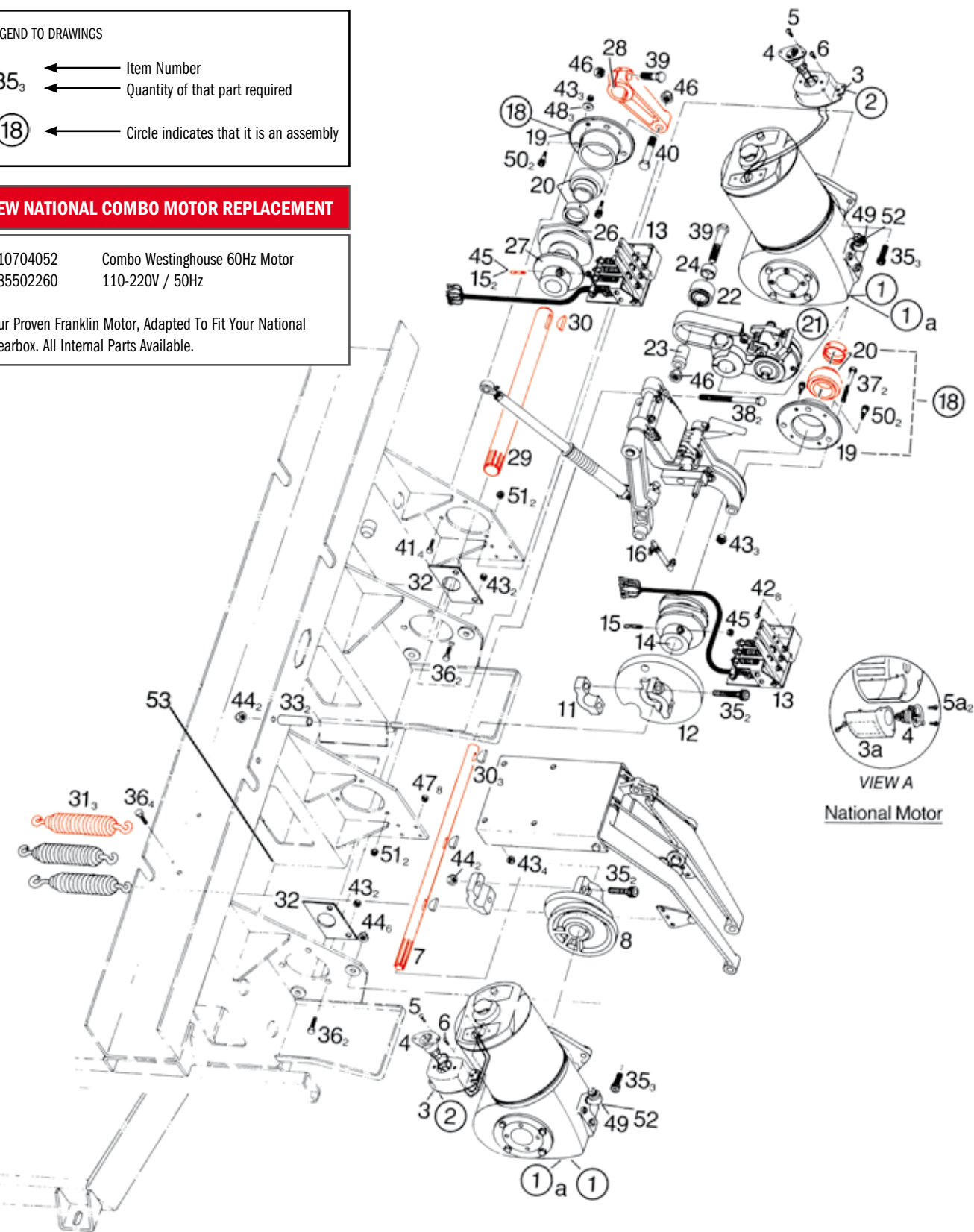
35<sub>3</sub> ← Item Number  
 ← Quantity of that part required

18 ← Circle indicates that it is an assembly

NEW NATIONAL COMBO MOTOR REPLACEMENT

610704052 Combo Westinghouse 60Hz Motor  
 785502260 110-220V / 50Hz

Our Proven Franklin Motor, Adapted To Fit Your National Gearbox. All Internal Parts Available.



FRONT END DRIVE ASSEMBLY

ITEM	PART NUMBER	DESCRIPTION
1*	620704052	Fe Motor Combo Gearbox 60 Hz
1A	070006219	Mtr-115/230-50 Comb
2	785501655	Recpt Asy-West Comb
3	090004521	Receptacle Housing
4	000027655	Receptacle-Male Combo 5 Prong
5	818227062	Screw 6-32 X 3/8 Phil Rd
5A	785502202	Screw Rdhd 3 X 10Mm
6	828127062BG	Screw-Rdhd 6-32 X 3/8Tyd (Bag 10)
7	070001700	Shaft, Table Drive
8	070001910	Spot Respot Cam
11	070006407	Cap-Cam Hub
12	070006427	Cam, Shuttle
13	070006420	Cam Switch Assy
14	070006417	Table Cam Weld
15	070001664	Clamp Stud
16	070006493	Ball-Joint Asy
18	000021744	Bearing, Self Align
19	000021683	Retainer, Bearing
20	000021905	Bearing (Locking Collar)
21	070001840	Table Drive Asy
22	190001490	Bearing, Table Drive
23	070007310	Bushing
24	070007311	Sleeve
26	070006449	Cam Weld-Sb&Sc Sweep
27	070006450	Cam Weld-Sa Sweep
28	000023139	Arm-Crank
29	070001699	Shaft, Sweep Drive
30	907000900BG	Key-Hy Pro 910 (Bag 10)
31	070001707	Spring
32	070006765	Shaft Plate
33	070006310	Spacer

ITEM	PART NUMBER	DESCRIPTION
34	810265240	Screw Soc 3/8-16 X 1 1/2 - OBS
35	810265280BG	Screw-Soc 3/8-16 X 1 3/4 (Bag 10)
36	809857125BG	Screw-Hx 5/16-18 X 3/4 (Bag 10)
37	809857405BG	Screw-Hx 5/16-18 X 2 1/2 (Bag 10)
38	809865645BG	Screw-Hx 3/8-16 X (Bag 10)
39	809873405BG	Screw-Hx 1/2-13 X 2 1/2 (Bag 10)
40	070003243	Screw-Crank Arm
41	809857165BG	Screw-Hx 5/16-18 X 1 (Bag 10)
42	818239122BG	Screw-Smrd 10-24 X 3/4 (Bag 10)
43	844057002BG	5/16-18 Stover Locknut (Bag 10)
44	844065002BG	3/8-16 Stover Lock Nut (Bag 10)
45	835549002BG	1/4-20 Jam Nut (Bag 10)
46	844073002BG	1/2-13 Stover Locknut (Bag 10)
47	840039002BG	10-24 Flex Nut Tn (Bag 10)
48	948761112BG	5/16 Washer (Bag 10)
49	710501004	Fittng-Almte
50	880239140BG	Screw 1/4 X 1/2 Lg. Shoulder Bolt (Bag 10)
51	843139002BG	Nut, Keps Ext. Lkwsr (#10-24) (Bag 10)
52	718506006	Elbow, Street
53	070007761	Brkt.Spot Respot Spring Hanger Kit
Not Shown	088001174	End Machine Guard
	610700153	End Machine Kit
	610704120	Double To Single Solenoid Conv. Kit
	610007010	Ge & Wh Motor-Gearbox Manual (OBS)
	610704103	Kit-Spring Roller Pin Repair Kit
	030003943	Crank, Motor

\* See page 103 for exchange repair program.  
 Note: Lubricant for Motor: 715 021 716 LUBE OIL, 600W, QUART  
 715 021 706 LUBE OIL, 600W, 12 QUARTS

SPECIAL TOOLS - FRONT END

030003943	Motor Crank
792505005	Spring Puller
030002748	Cam Gauge



SOLID STATE MOTOR SWITCH



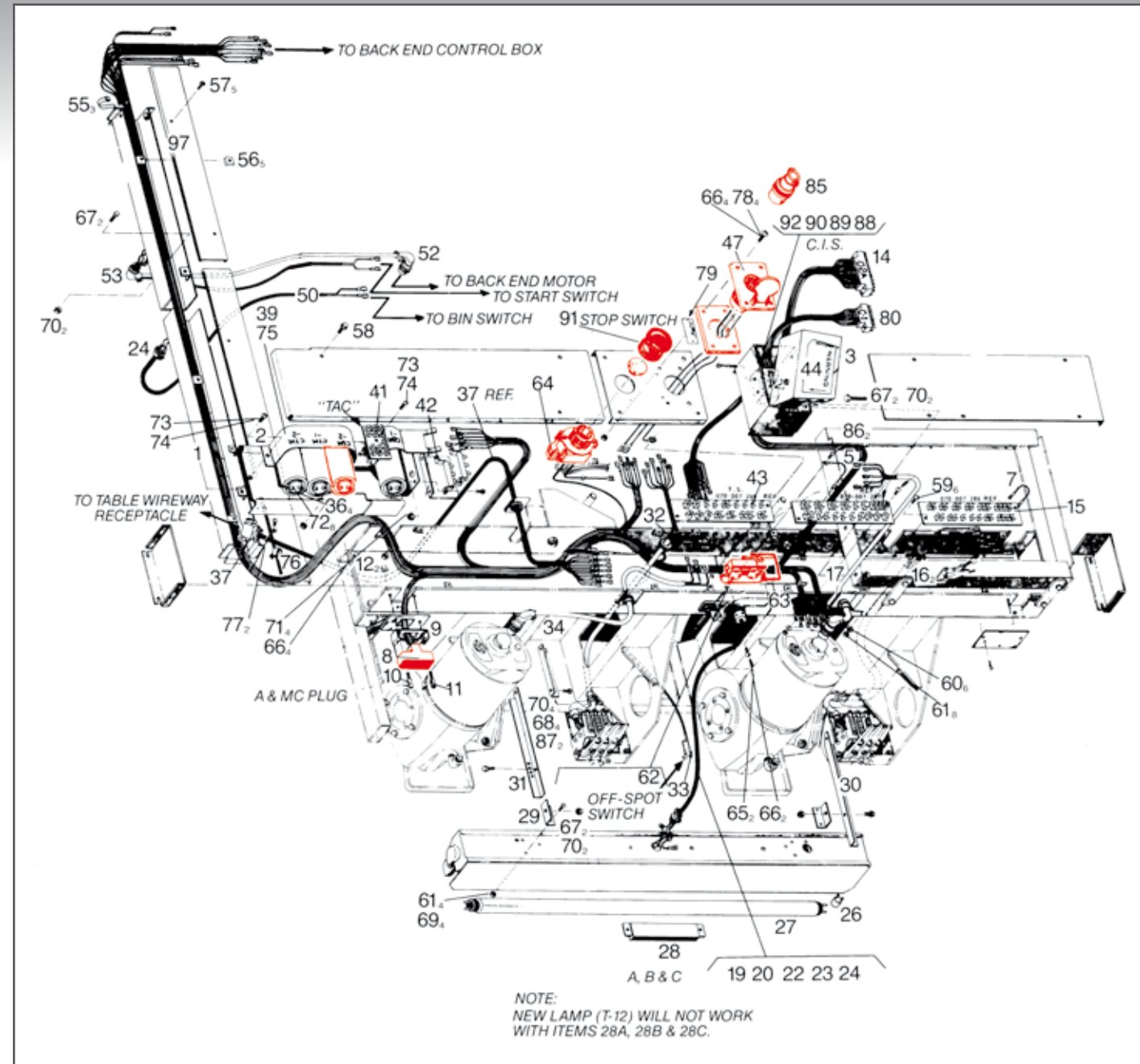
Includes the braking circuit to help prevent coasting.  
 Product Code 610309044

RELAY



Product Code 030005923



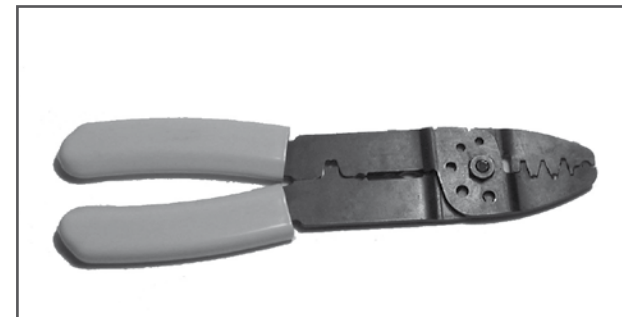


FRONT END ELECTRICAL INSTALLATION LH

ITEM	PART NUMBER	DESCRIPTION
1	070007747	Cover
2	070007748	Frme Wld-Cbldct-Long Obs
3	070005570	Plug Duct Weldmt
8	000025078	Block-Termamp2012981
9	000025556BG	Catch Spring Lock (Bag Of 2)
10	000028442BG	Guide, Pin (Bag 10)
11	000028441	Guide Socket (Bag 10)
12	834621000BG	NUT-HEX 4-40 BRASS (Bag 10)
14	070011800	Hrness Lh-C1 & C2a
15	070007286	Terminal Strip-13Trm (OBS)
16	711520017	Grmt-Atl 2764
17	070005542	Cable Assembly Sweep Mtr
19	010102210	Cord So 18/3/600V (Not For Resale)
20	754020312	Cnctr&Pngmale 4720
22	742503004	Splice Cap Buch2006s
23	742502002	Cap-Nyln Insl Bu2007
24	746001016	Cnctr-Str #3302 1/2
25	000021652	Pit Light Assembly 120/60
25A	090008017	Dual Pit Light Assembly 36" 120/60
26	000027444	Firscnt Lamp Starter
27	751001423	Lamp Flourescent 30W
27A	751001254	Lamp Day Light F30t 12/Dir
27B	751001460	Black Light 36"
28	740501001	Ballast-120/60
29	070007370	Angle Pit Light Mnt
30	070001907	Brkt-Sup-Pit Lite Rh
31	070001908	Brkt-Sup-Pit Lite Lh
33	070005534	Cbl Assy-Off Spot
34	070007751	Cable-Tbl Mtr 3 Cono
36	743000020	Cptr-460-552Mfd110ac
37	070005604	Cable-Table
41	000025603	Terminal Board
42	916931256	Resistct20w.10.1.25K
43	070007288	Terminal Strip-16Trm (OBS)
44	070005614	Decal-Warning
47	754010336	Plug Arrowhard 60 Hz
50	070006272	Switch Cable Assm

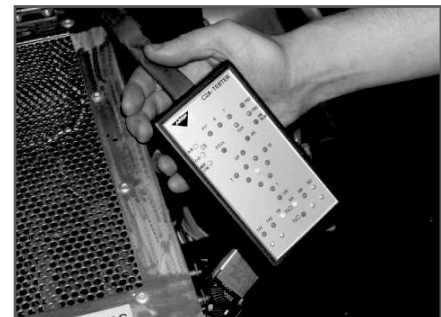
ITEM	PART NUMBER	DESCRIPTION
52	070005094	Cable Assembly Be Mtr
53	746003008	Cnctr 90Deg 266 3/8
55	770011010	Tyrap 14.19Inch Lg
56	724511074	Tin-Nut-Spd'u'c-1505
57	812840082BG	Scr-Rdhd= 10-32X1/2 (Bag 10)
58	826032060BG	Scr-Tat-Wa8-3/8 (Bag 100)
59	818233122BG	Scr-Smrd+ 8-32X3/4 (Bag 10)
61	843133002BG	Nut-Kep 8-32 Wash (Bag 10)
62	755010303	Recptcl-3Wire Twstlk
64	746605011	Cont Block Male 2Pin
65	818227082BG	Scr-Smrd+ 6-32X1/2 (Bag 10)
66	843127002BG	Nut-Kep 6-32 Wash (Bag 10)
67	809849085	Screw-Hex 1/4-20 X 1/2
68	809849125	Screw-Hex 1/4-20 X 3/4
70	844049002BG	Nut-Stvr-Lk 1/4-20 (Bag 10)
71	818627042BG	Scr-Smrd= 6-32X1/4 (Bag 10)
72	813340042BG	Scr-Pnhd=10-32X1/4Cd (Bag 10)
73	818239122BG	Scr-Smrd+ 10-24X3/4 (Bag 10)
74	839539002BG	Nut-Fix-Tk *10-24 Ht (Bag-10)
75	070005639	Decal (OBS)
76	744203014	Clamp-Burndy Hp-6N
77	828127062BG	Scr-Tdrd+6-32X3/8Tyd (Bag 10)
78	812627122	Screw-Rdhd 6-32 X 3/4
79	829905042	Screw-Drpk 0 X 1/4 Ty U
80	070006473	Cable Assembly C1
85A	754010336	Plug-3Wire 30A 125V
85B	754010337	Plug-Arrowhrt 50Hz
86	818233082BG	Scr-Smrd+ 8-32X1/2 (Bag 10)
87	070001698	Brkt-Pitlight
88	000026247	Switch
89	813227162	Screw-Pnhd 6-32 X 1 Cd
90	839527002BG	Nut-Fix-Tk *6-32 Ht (Bag 10)
91	759517051	Swch Pshbtn 7/8 Dia
92	000022296BG	Insulator-Switch (Bag 10)
97	070007745	Cover-Cbl Duct Ext

CRIMP TOOL

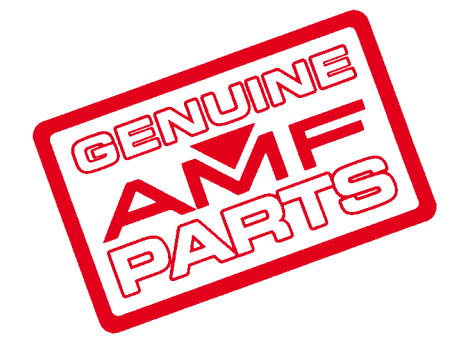


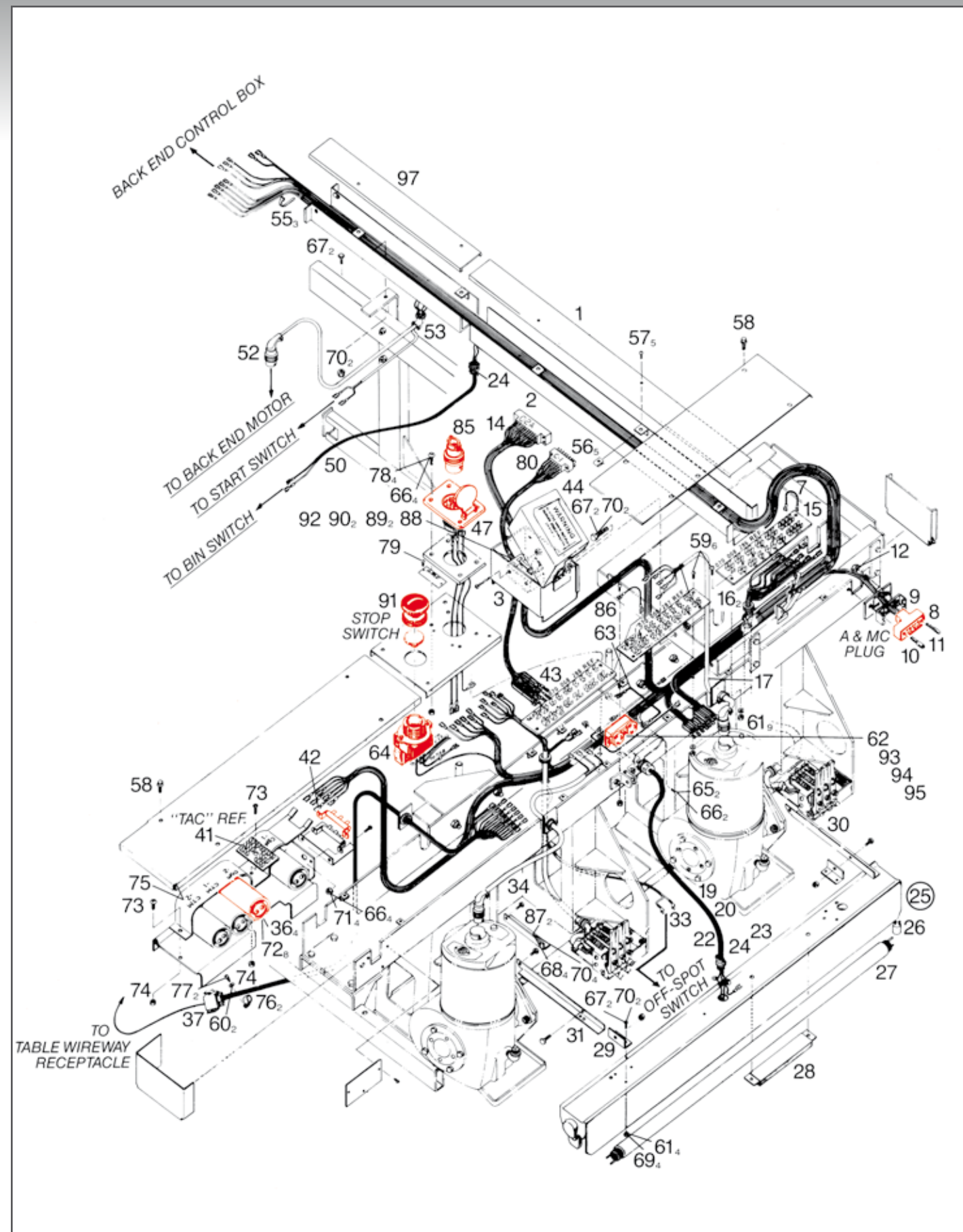
Product Code 792512019

C-2A CIRCUIT TESTER



Product Code 791003004





FRONT END ELECTRICAL INSTALLATION RH

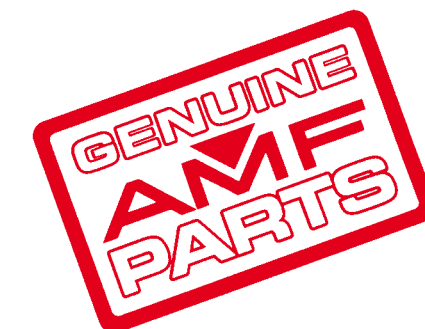
ITEM	PART NUMBER	DESCRIPTION
1	070007747	Cover
2	070007748	Frme Wld-Cbldct-Long Obs
3	070005570	Plug Duct Weldmt
8	000025078	Block-Termamp2012981
9	000025556BG	Catch Spring Lock (Bag Of 2)
10	000028442BG	Guide, Pin (Bag 10)
11	000028441BG	Guide Socket (Bag 10)
12	834621000BG	NUT-HEX 4-40 BRASS (Bag 10)
14	070011801	C-2A Harness Assembly Rh (OBS)
15	070007286	Terminal Strip-13Trm (OBS)
16	711520017	Grmt-Atl 2764
17	070005542	Cable Assembly Sweep Mtr
19	010102210	Cord So 18/3/600V (Not For Resale)
20	754020312	Cnctr & Prngmale 4720
22	742503004	Splice Cap Buch2006s
23	742502002	Cap-Nyln Insl Bu2007
24	746001016	Cnctr-Str #3302 1/2
25	000021652	Pit Light Assembly 120/60
25A	090008017	Dual Pit Light Assy 36" 120/60
26	000027444	Firscnt Lamp Starter
27	751001423	Lamp Flourescent 30W
27A	751001254	Lamp, Daylight F30t Dirs
27B	751001460	Black Light 36"
28	740501001	Ballast-120/60
29	070007370	Angle Pit Light Mnt
30	070001907	Brkt-Sup-Pit Lite Rh
31	070001908	Brkt-Sup-Pit Lite Lh
33	070005534	Cbl Assembly-Off Spot
34	070007751	Cable-Tbl Mtr 3 Cono
36	743000020	Cptr-460-552Mfd110ac
37	070005604	Cable-Table
41	000025603	Terminal Board
42	916931256	Resistct20w.10.1.25K
43	070007288	Terminal Strip-16Trm (OBS)
44	070005614	Decal-Warning
47A	755020359	RECPT-3 WIRE 30A 125V
47B	754010336	PLUG ARROWGEART 60HZ

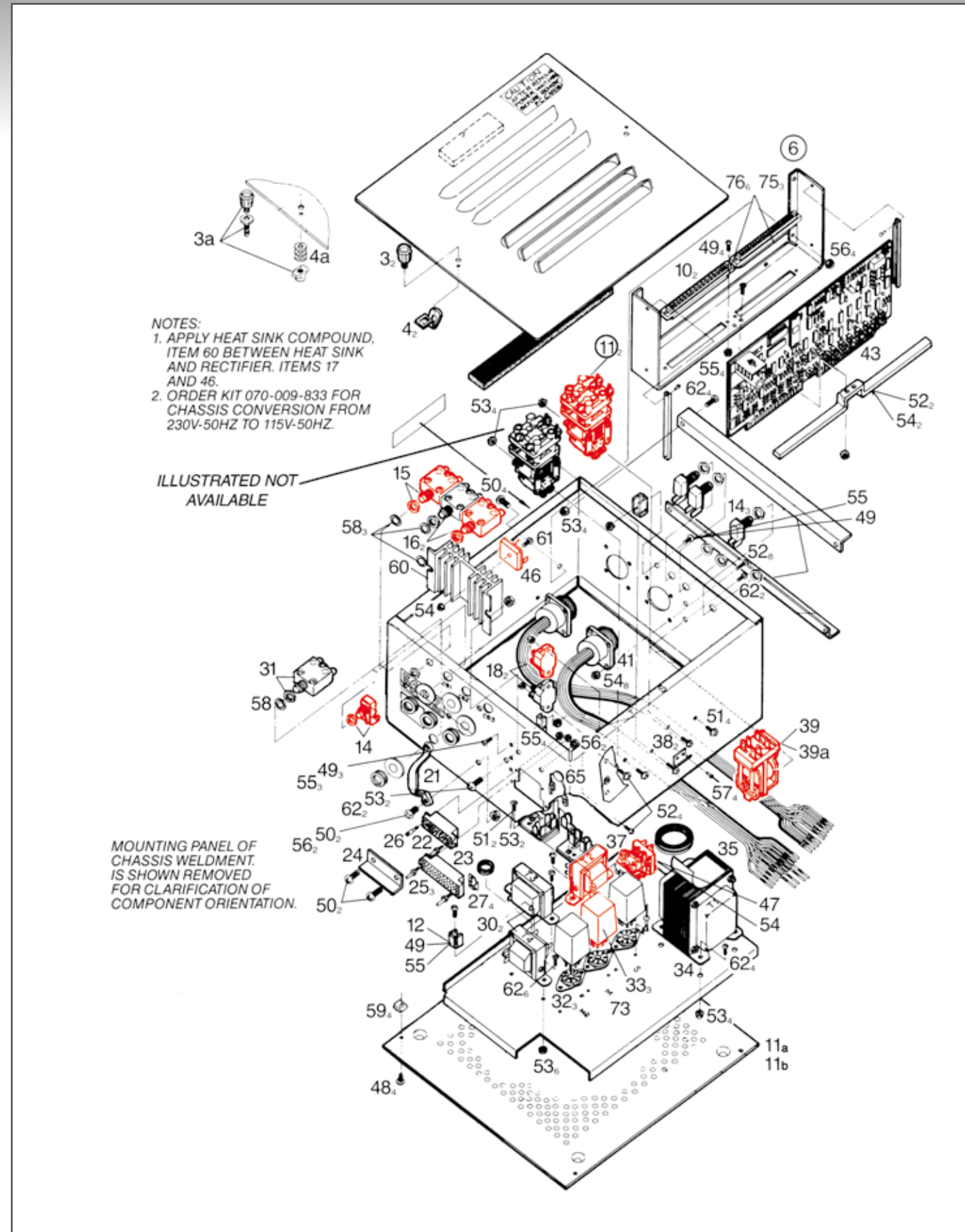
ITEM	PART NUMBER	DESCRIPTION
50	070006272	Switch Cable Assm
52	070005094	Cable Assembly Be Mtr
53	746003008	Cnctr 90Deg 266 3/8
55	770011010	Tyrap 14.19Inch Lg
56	724511074	Tin-Nut-Spd'U'c-1505
57	812840082BG	Scr-Rdhd= 10-32X1/2 (Bag 10)
58	826032060BG	Scr-Tat-Wa8-3/8 (Bag 100)
59	818233122BG	Scr-Smrd+ 8-32X3/4 (Bag 10)
61	843133002BG	Nut-Kep 8-32 Wash (Bag 10)
62	755010303	Receptacle 3 Wire Twist Lock
64	746605011	Cont Block Male 2Pin
65	818227082BG	Scr-Smrd+ 6-32X1/2 (Bag 10)
66	843127002BG	Nut-Kep 6-32 Wash (Bag 10)
67	809849085	Screw-Hex 1/4-20 X 1/2
68	809849125	Screw-Hex 1/4-20 X 3/4
70	844049002BG	Nut-Stvr-Lk 1/4-20 (Bag 10)
71	818627042BG	Scr-Smrd= 6-32X1/4 (Bag 10)
72	813340042BG	Scr-Pnhd=10-32X1/4Cd (Bag 10)
73	818239122BG	Scr-Smrd+ 10-24X3/4 (Bag 10)
74	839539002BG	Nut-Flx-Tk *10-24 Ht (Bag-10)
75	070005639	Decal (OBS)
76	744203014	Clamp-Burdy Hp-6N
77	828127062BG	Scr-Tdrd+6-32X3/8Tyd (Bag 10)
78	812627122	Screw-Rdhd 6-32 X 3/4
79	829905042	Screw-Drpk 0 X1/4 Ty U
80	070006473	Cable Assembly C1
85A	754010336	Plug-3Wire 30A 125V
85B	754010337	Plug-Arrowhrt 50Hz
86	818233082BG	Scr-Smrd+ 8-32X1/2 (Bag 10)
87	070001698	Brkt-Pitlight
88	000026247	Switch
89	813227162	Screw-Pnhd 6-32 X 1 Cd
90	839527002BG	Nut-Flx-Tk *6-32 Ht (Bag 10)
91	759517051	Stop Bottom
92	00002296BG	Insulator-Switch (Bag 10)
97	070007745	Cover-Cbl Duct Ext

WIRING MANUAL - 82-70

Clear, in-depth directions on electrical troubleshooting & maintenance

Product Code 610000009





MP CHASSIS ASSEMBLY

ITEM	PART NUMBER	DESCRIPTION
3	070001990	Knob-Chassis Cover
4	713510007	Pawl-Chassis Cover
6*	630709802	Chassis M/P 110V-50/60Hz
10	746008083	Connector Pc Edge 25 (OBS)
10A	760005129	Termnal Amp#583361-4
11	610704141	Relay 50-60Hz Kit
11A	070011755	Relay 50-60Hz
11B	070011753	Relay Mtg. Bracket
14	000025865	Plunger Switch
15	743506006	Circ Brkr-3 Amp
16	743502024	Circuit Breaker Cb-2 & Cb-3
18	070005666	Circ Breaktex
19A	760001070	Term-Adptr-3000S-5-1
21	000029117	Handle
22	000025068	Block-Termamp2008382
23	000028410	Block-Termamp2002772
24	070005514	Shield-Angle
25	000028442BG	Guide, Pin (Bag 10)
26	000028441BG	Guide Socket (Bag 10)
27	000029014BG	Locking Spring Catch
30	762015015	Trsfmr 120 50/60
31	743507007	Circ Brkr-1 Amp
32	000021231	Socket
33	070005515	Relay-Chassis 24Vac
34	762011011	Trsfmr 115/230 50/60
37	000026836	Trsfmr 115-60
37A	000027870	Trsfmr 115/230 50/60

ITEM	PART NUMBER	DESCRIPTION
38	000028494	Hook
39	000025863	Relay 24 V 50-60 Cy
39A**	755504048	Relay P&B T91
41	070009811	Receptacle Assy (Mask)
43*	520709860	82-70 Sngl Chip Mp Bd W/Leds
46	756001008	Rectifier-Bridge 12A
47	755504006	Relay P&B Ka5av 24V
48	823132082BG	Screw-Tap-Rdt 8 X 1/2 (Bag 10)
49	817921080	4-40 X 1/2 Sems Obs
50	813540082BG	Screw 10-32X1/2Cd (Bag 10)
51	818233122BG	Scr-Smrd+ 8-32X3/4 (Bag 10)
52	818227102	Screw-Smrd 6-32 X 5/8
53	843133002BG	Nut-Kep 8-32 Wash (Bag 10)
54	843127002BG	Nut-Kep 6-32 Wash (Bag 10)
55	843121002	Nut-Kep 4-40 Wash
56	843140002BG	Nut-Kep 10-32 Wash (Bag 10)
58	959571102	Washer-Shkprf Int (Obs)
59	724511050	Tin-Clip-Ty'U'c-8111
61	818227162BG	Scr-Smrd+ 6-32X1 (Bag 10)
62	812633062BG	Scr-Rdhd+ 8-32X3/8Cd (Bag 10)
65	070009815	Varistor Assembly T1
70	812621082	Screw-Rdhd 4-40 X 1/2 (OBS)
71	834821000BG	Nut-Hex 4-40 Brass (Bag 10)
72	951020000BG	Wshr-Lk-Split # 4 (Bag 10)
73	761700002	Varistor-Ge V4721
75	748010034	Transiet Voltg Supsr

Order Kit 610 070 300 to convert to MP 110V or 610 070 200 to convert to MP 220V  
 \* See page 103 for Repair and Exchange Program.  
 \*\* After serial #16795, effective 10-10-98.  
 Note: See page 1A.63 for list of Terminals.

PC BOARD COMPONENTS MANUAL

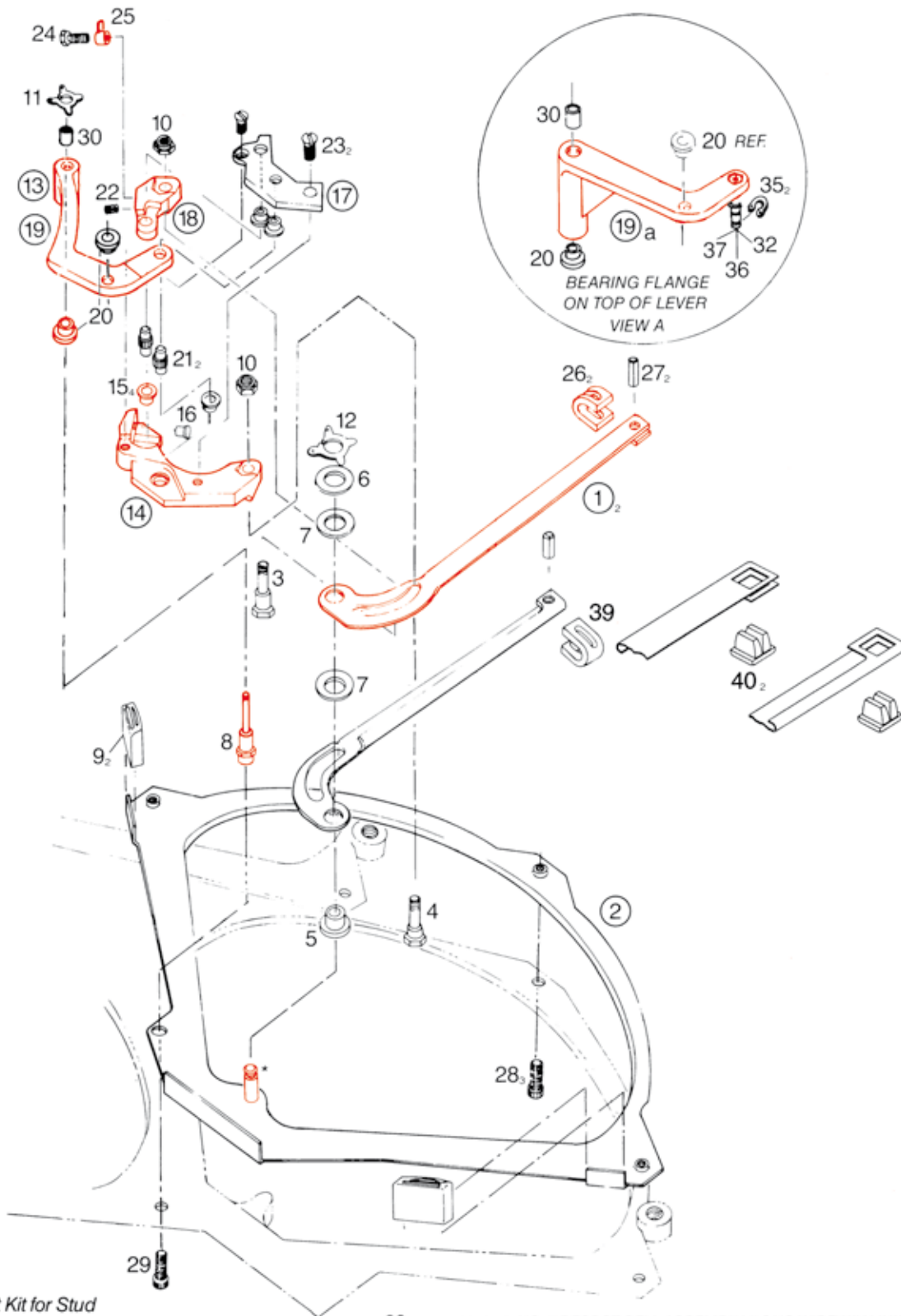
- Features:
- In-depth description of on-board circuits and circuit theory
  - Identification of all board components
  - Converts foul units, 5-board chassis, MP through 9850 and more

Product Code **610007030**

120V 60HZ MP CHASSIS

- Features:
- Direct replacement for 6525 chassis on 82-30's.
  - LED diagnostics and push button operation.
  - Runs short strike cycle when connected to QubicaAMF scoring.
  - New improved design features resettable breaker protection for all high-voltage circuits, cooling fan, and stronger components.

Product Code **520316526**



\*Replacement Kit for Stud  
070-002-650 Stud  
840-049-002 Nut

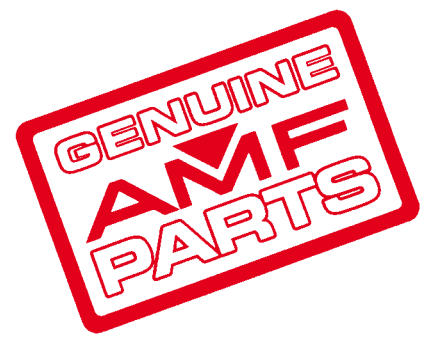
33 070-006-674 NO. 7 RESPOT CELL ASSEMBLY (LONG WIREWAY LINK)  
34 070-007-199 NO. 7 RESPOT CELL ASSEMBLY (SHORT WIREWAY LINK)

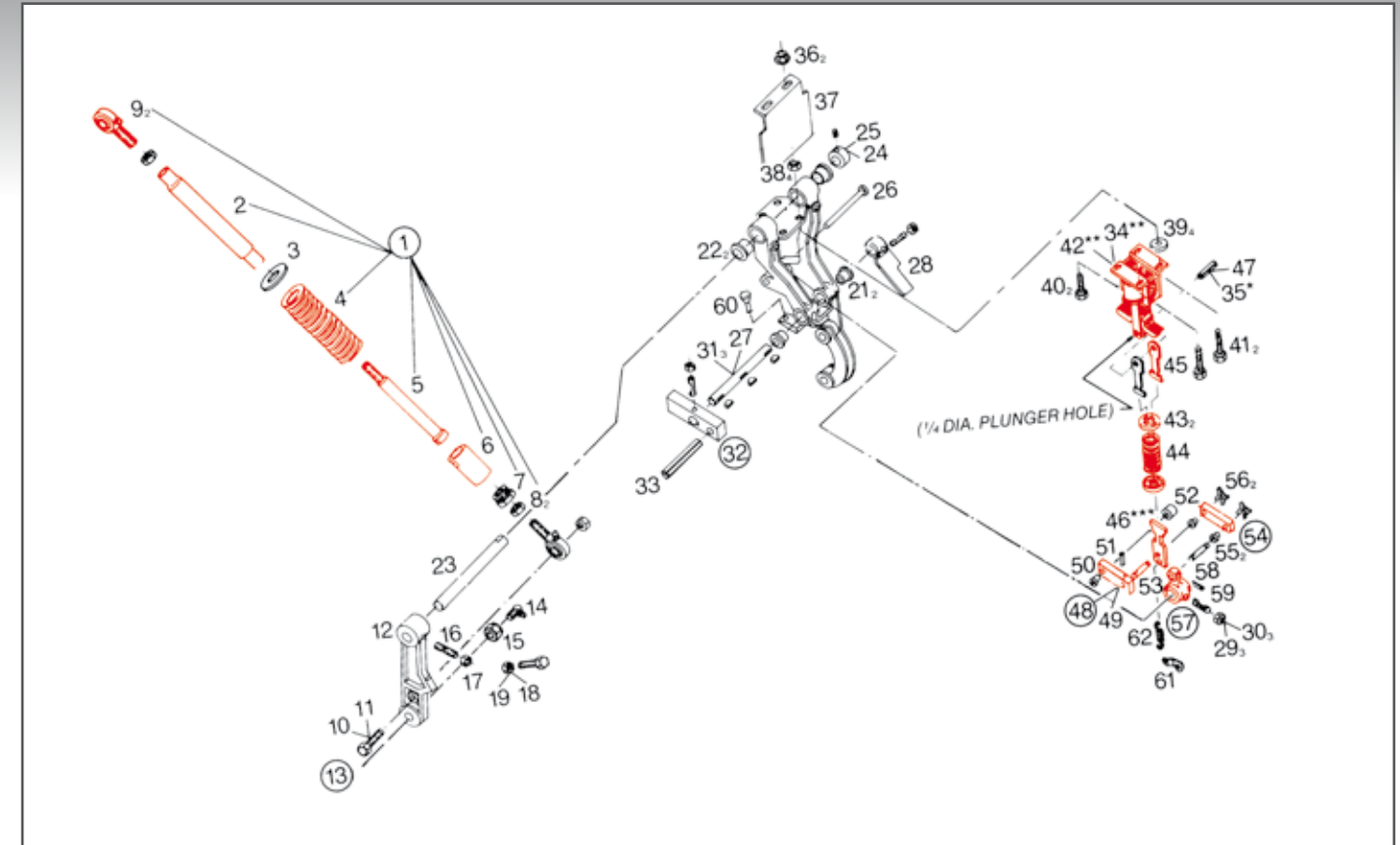
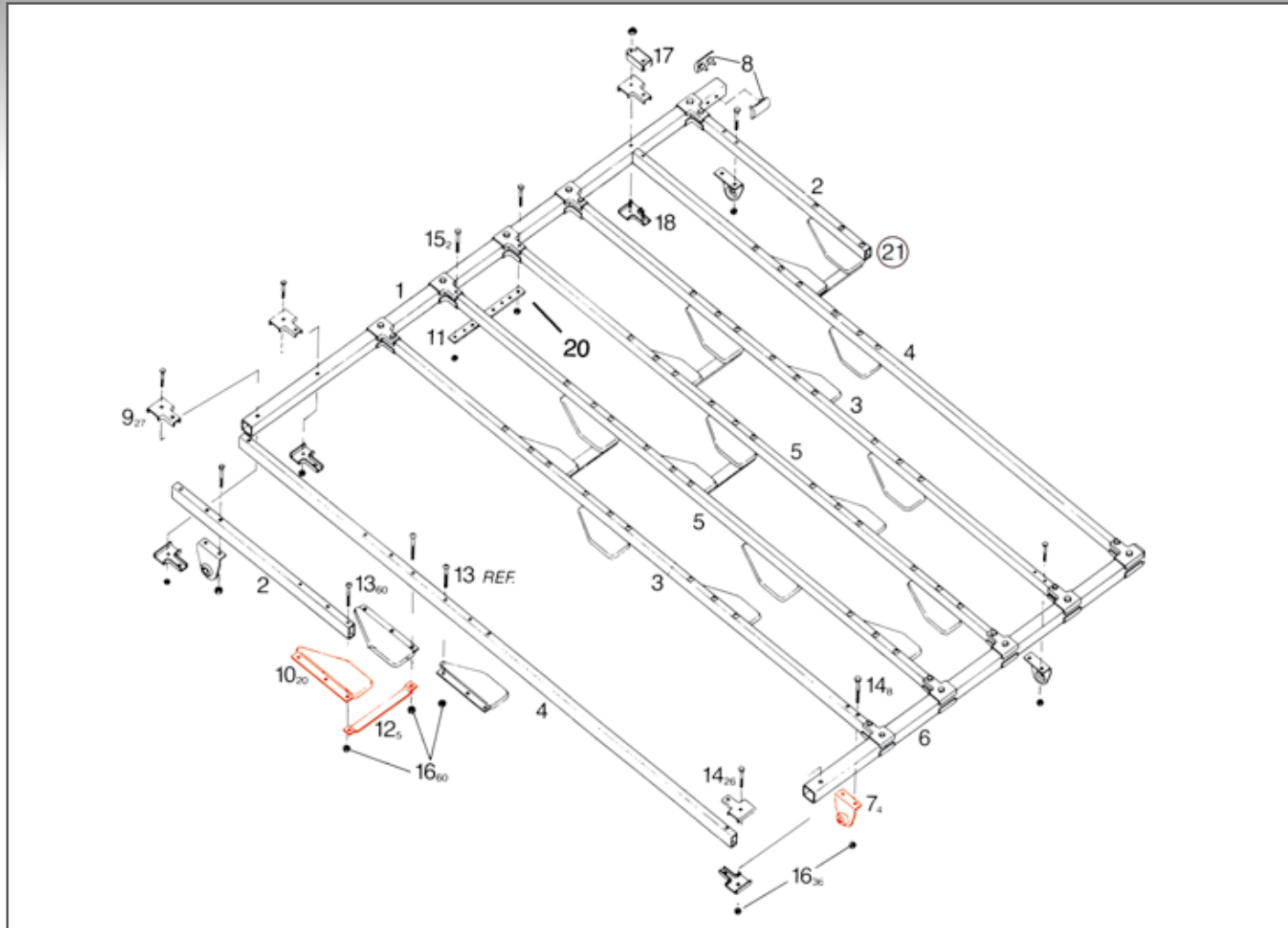
RESPOT CELL NUMBER 7 ASSEMBLY

ITEM	PART NUMBER	DESCRIPTION
1*	090004123	Respot Finger With Insert
2	070002686	Frame Asm 7 Cell
3	070007194BG	Stud-Long-Respt.Cell (Bag 5)
4	070007195BG	Stud-Short-Respt.Cel (Bag 5)
5	070007196BG	Bearing Fl .252 X .485 X .560 (Bag 5)
6	070007192BG	Washer-Respot Cell Assembly (Bag 10)
6A	070007651BG	Nylon Washer - Top (Bag 10)
7	070007193BG	Spacer - Rubber/Nylon (Bag 10)
7A	948975172BG	Spacer Steel (Bag 10)
8**	070002685BG	Shaft-Pivot 7 Cell 5/16 (Bag 10)
8A**	070002654BG	Pivot Shaft 1/4 (Bag 10)
9	070002752BG	Bumper Extension (Bag 2)
10	844049002BG	1/4-20 Lock Nut (Bag 10)
11	963100002BG	Washer-X 3/32 9000-6 (Bag 10)
12	963200002BG	Washer-X 1/8 9000-8 (Bag 10)
13	070002642	Yoke Respot Assembly 7
14	070002629	Yoke Respot Asm
15	070002630BG	Bearing Fl .252 X .315 X .218 (Bag 20)
16	933623050	Rvt-Semi Tublr Stl
17	070002644	Plate Yoke Assembly
18	070002646	Arm Res Yoke Assembly
19	070006673	Lever Respot Arm W/I

\* Item 1 is new style finger with square holes. Old style finger with round holes is no longer available.  
With Item 8, no bushings used in boss of Item 19.  
\*\* With Item 8a, bushings are used in Boss of Item 19. 070002652BG BRG SL.252X315X.5LG (Bag 20).

ITEM	PART NUMBER	DESCRIPTION
19A	610704026	Kit-#7Respt Lvr Assembly
20	070002653BG	Bearing Fl .252 X .315 X .38 (Bag 20)
21	070002645	Shaft-Lever Ay-Respt
22	070002649BG	Spring (Bag 10)
23	070002750BG	Screw-Flhd-Respot&Yoke (Bag 10)
24	070002632BG	Scr-Adj-Respot Cell Bag(10)
25	070002570BG	Insert Yoke Arm (Bag 5)
26	070007197BG	Insert-Respot-Plastic/ Round Hole (Bag 10)
27	913437100BG	Pin-Spring.187 X 5/8 (Bag 10)
28	808640141BG	Screw-Soc Lk 10-32 X 7/8 (Bag 10)
29	808640121BG	Screw Soc Lk 10-32 X 3/4 (Bag 10)
30	070002652BG	Bearing Sl .252 X .315 X .5 Lg (Bag 10)
32	070008154	Pin-Pivot N07 Cell
33	070006674	Cell Assembly #7 (New Style)
34	070007199	Respot Cell Assembly #7(Old Style)
35	919010200BG	Ring-Ret. 5133-25 (Bag 10)
36	835558002BG	Nut-Hex-Jam 5/16-24 (Bag 10)
37	070002531	Washer Respot (Obs)
38	951138000BG	Washer-Lk-Split # 10 (Bag 10)
39	090004123	Respot Finger Assembly
40	792506033	Insert-Respot/ Square Hole
41	610704001	Respot Cell Fgr Kit

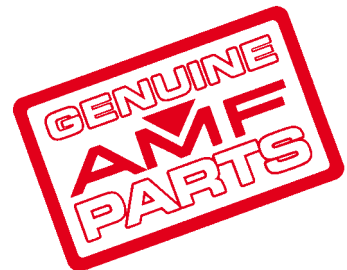




## SHUTTLE ASSEMBLY

ITEM	PART NUMBER	DESCRIPTION
1	088500153	Tube Cross Long
2	088500154	Tube Shuttle Short
3	088500155	Tube Long Shuttle Asm.
4	070006256	Tube-Outside-Bin
5	088500157	Tube Shuttle Center
6	088500158	Cross Tube Short Shuttle Asm.
7	070006259	Brkt-Arm-Shuttle Assembly
8	070006260	Bumper-Counter-Bin
9	088500161	Clamp, End, Shuttle Asm.
10	088001211	Pin Holder

ITEM	PART NUMBER	DESCRIPTION
11	088500166	Strap Spring Bin
12	070006268	Strap Shuttle (Not Shown)
13	808549240BG	Screw-Sobt1/4-20 X 1 1/2 (Bag 10)
13A	809849325BG	1/4-20 X 2 Cap Screw (Bag 10)
14	809849245BG	Screw-Hex 1/4-20 X 1 1/2 (Bag 10)
15	809849285BG	Screw-Hex 1/4-20 X 1 3/4 (Bag 10)
16	844049002BG	1/4-20 Lock Nut (Bag 10)
19	070006390	Spacer
20	070006447	Spring-Shuttle Assembly
21	088500162	90 Xli Shuttle Asm Metric



SPECIAL TOOLS - SHUTTLE	
070006519	Position Gauge
792505005	Spring Puller

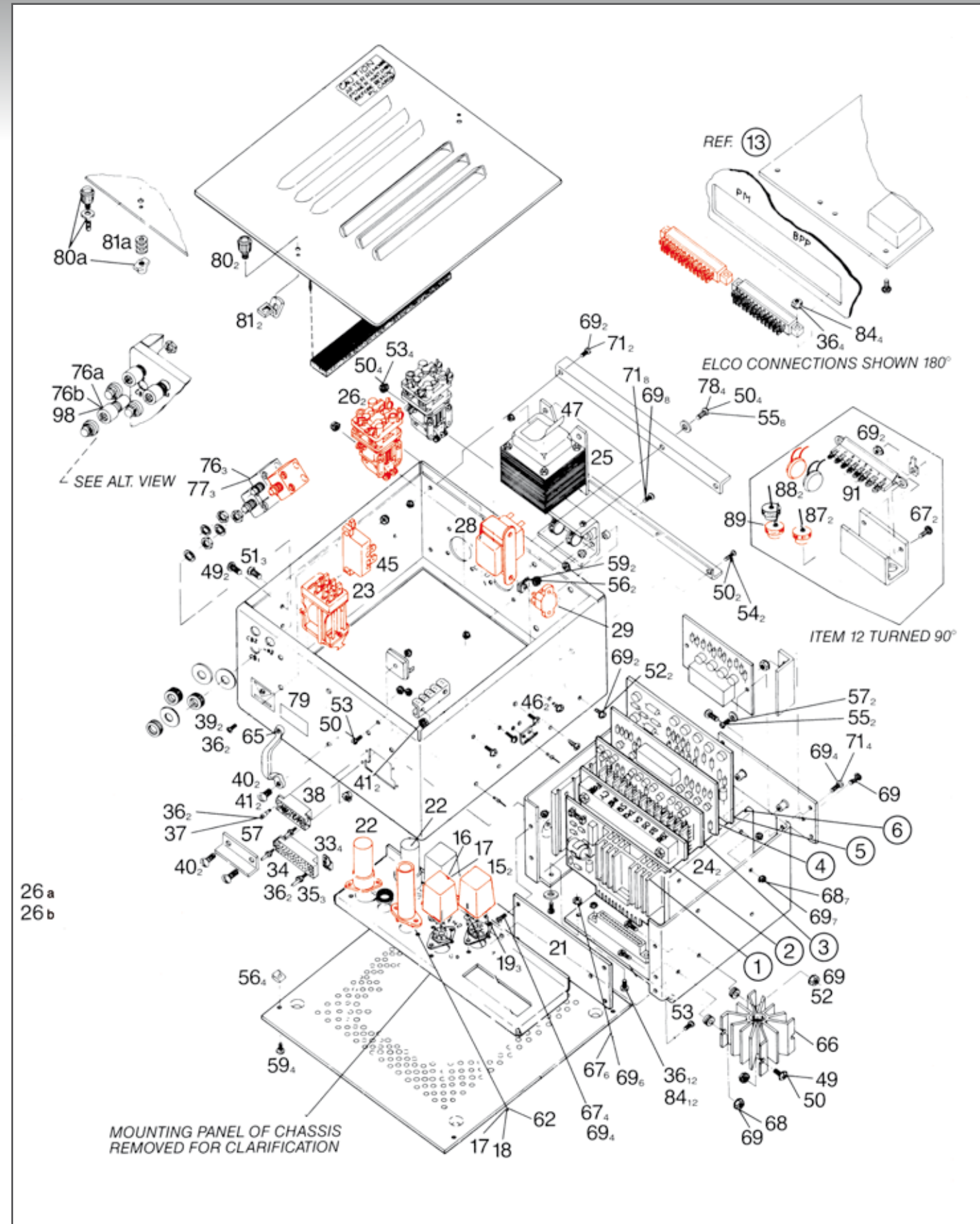
SUPER SLICK PIN HOLDER	
Features:	
<ul style="list-style-type: none"> <li>Made of new material</li> <li>Will not stick to the pin like urethane</li> <li>Exceptional long wear</li> </ul>	
Product Code	<b>088001211</b>

## SHUTTLE OPERATOR & SOLENOID ASSEMBLY

ITEM	PART NUMBER	DESCRIPTION
1	090005263	Shuttle Rod Assy
2	070006297	Tube-Long
3	070006296BG	Wshr-Spring-Shuttle (Bag 10)
4	070006306	Spring-Shuttle Rod
5	070006304	Rod-Shuttle
6	070006299	Tube-Short
7	070006302	Plug-Shuttle Rod
8	835566002	3/8-24 Hex Stl Thin Nut
9	090005256	Rod-End-Distributor Support
9A	710502010	Rod-End-Distributor Support
10	809865205BG	Screw-Hex 3/8-16 X 1 1/4 (Bag 10)
11	840065002BG	Nut-Fix-Trn 3/8-16 (Bag 10)
12	070006295	Lever-Shuttle
13	610704002	Cam Follower Assembly
14	710501012	Fittng-Almte*1911B
15	835570002BG	Nut-Hex-Jam 7/16-20Hy (Bag 10)
16	070006284	Stud-Clamp-Shuttle Dr
17	834557002BG	Nut Hex 5/16-18 (Bag 10)
18	835565002	3/8 X 16 Hex Nut - Thin
19	809865165BG	Screw-Hex 3/8-16 X 1 (Bag 10)
21	701416058	Bearing Fl.502X .627 X .875
22	900210161BG	Brg Fl Bz .628 X 1 (Bag 5)
23	070006286	Shaft
24	000021423	Collar 5/8X1 1/8 X 1/2
25	807357040BG	Screw-Stso5/16-18 X 1/4K (Bag 10)

ITEM	PART NUMBER	DESCRIPTION
26	070006289	Shaft-Shuttle Drive
27	070006285	Shaft-Shuttle-Drive
28	070006278	Lever-Cam
29	070006116	Stud-Clamp
30	835549002BG	1/4-20 Jam Nut (Bag 10)
31	907000200BG	Key-Hy Pro* 404 (Bag 10)
32	070006484	Stop Lever Assy
33	913464400BG	Pin-Sprng .375 X 2 1/2 (Bag 10)
34**	000026027	Solenoid 60 Hz .156
34A**	000027873	Solenoid 50 Hz .156
34B**	070006726	Solenoid 60 Hz .250
34C**	090005723	Solenoid-Insulated
35*	000028391	Screw-Shoulder
35A*	957000002	#6 Ext Star Lockwasher
35B*	834527002BG	Nut-Hex 6-32 Cd (Bag 10)
35C*	700107170	Adhsve-Lkte 609
36	843133002BG	Nut-Kep 8-32 Wash (Bag 10)
37	070006279	Guard-Solenoid
38	839533002BG	8-32 Lock Nut
39	000021442BG	Washer-Rubber (Bag 10)
40	814333122BG	Scr-Hx 8-32X3/4 (Bag 10)
41	813933162BG	Screw Hd 8-32 X 1.0 - OBS (Bag 10)
42**	090005723	Solenoid Universal
42A**	090003739	Adapter Cable For Above
43	070006277	Washer

To be continued Page 9

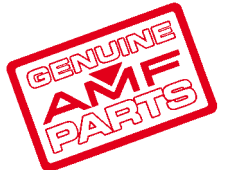


SOLID STATE CHASSIS

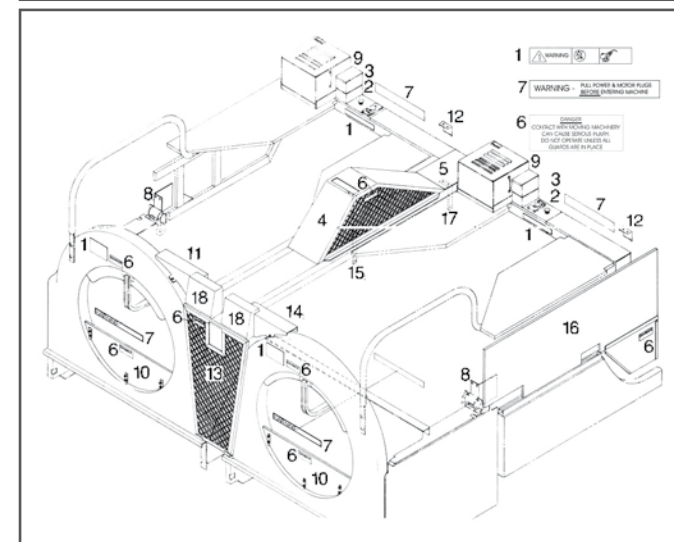
ITEM	PART NUMBER	DESCRIPTION
1*	520705959	Pc Bd # 5 -Rebuilt - (OBS)
2*	520705955	Pc Board-Rebuilt - (OBS)
3*	520705956	Pc Bd # 2 Rebuilt - (OBS)
4*	520705957	Pc Bd # 3 Rebuilt - (OBS)
5*	520705958	Pc Bd # 4 -Rebuilt - (OBS)
6**	070007630	Pc Br # 6 Assy - OBS
6A	070005960	Pc Br # 6 Assy Used With Elco Chassis - OBS
15	070005515	Relay-Chassis 24Vac
16	070005883	Relay
17	000029301	Rectifier-Silc. 2069
18	070005652	Cpctr-100Mfd 250Wvdc
19	000021231	Socket
21	070007637	Plate-Side Support-Pc Board - OBS
22	070005874	Cpctr-1500Mfd 50W.V.
23	000025863	Relay 24 V 50-60 Cy
24	070005841	Guide-Board - (OBS)
25	070005853	Trsfmr 115/60 - (OBS)
25A	070005898	Trsfmr 115/230 50
26***	070011755	Relay 50/60Hz
26A	610704141	Relay 50-60 Hz
26B	070011753	Relay Mtg. Bracket
28	000026836	Trsfmr 115-60
28A	000027870	Trsfmr 115/230 50/60
29	070005666	Circ Breaktex
33	000029014BG	Locking Spring Catch
34	000028410	Block-Termamp2002772
35	000028442	Guide, Pin (Bag 10)
36	843121002	Nut-Kep 4-40 Wash
37	000028441BG	Guide Socket (Bag 10)
38	000025068	Block-Termamp2008382
39	818221082	Sems Rd. Head Screw Ext. L.W. 4-40 X 1/2 - (OBS)

ITEM	PART NUMBER	DESCRIPTION
40	813640062	Screw, Truss Head Mach. 10-32 X 3/8 - (OBS)
41	843140002BG	Nut-Kep 10-32 Wash (Bag 10)
45	070005149	Relay-Thermal
46	000028494	Hook
49	818233042	Screw-Smrd 8-32 X 1/4 - OBS
50	843133002BG	Nut-Kep 8-32 Wash (Bag 10)
51	818233062	Scr-Smrd+ 8-32X3/8
52	818227102	Screw-Smrd 6-32 X 5/8
53	818233082BG	Scr-Smrd+ 8-32X1/2 (Bag 10)
55	948637072BG	Wshr- 3/16X7/16X3/64 (Bag 10)
56	724511050	Tin-Clip-Ty'U'c-8111
57	070005514	Shield-Angle
59	824332082BG	Scr-Tap-Tr=8X1/2 Tya (Bag 10)
65	000029117	Handle
66	070005998	Triac
67	818227062	Screw-Smrd 6 X 3/8
68	818227082BG	Scr-Smrd+ 6-32X1/2 (Bag 10)
69	843127002BG	Nut-Kep 6-32 Wash (Bag 10)
71	813327062	6-32 X 3/8 Sltd Pan Head Screw
76	743502024	Circuit Breaker Cb2/Cb3
76A	000029010	Post Fuse Extractor
76B	000025555	Fuse-Slo Blow 3 Amp
77	743506006	Circuit Breaker 3 Amp
78	818233122BG	Scr-Smrd+ 8-32X3/4 (Bag 10)
80	070001990	Knob-Chassis Cover
81	713510007	Pawl-Chassis Cover
84	818221102BG	Scr-Smrd+ 4-40X5/8 (Bag 10)
87	070005842	Diode-Power
88	000028452	Varistor
89	070005859	Diode-Power

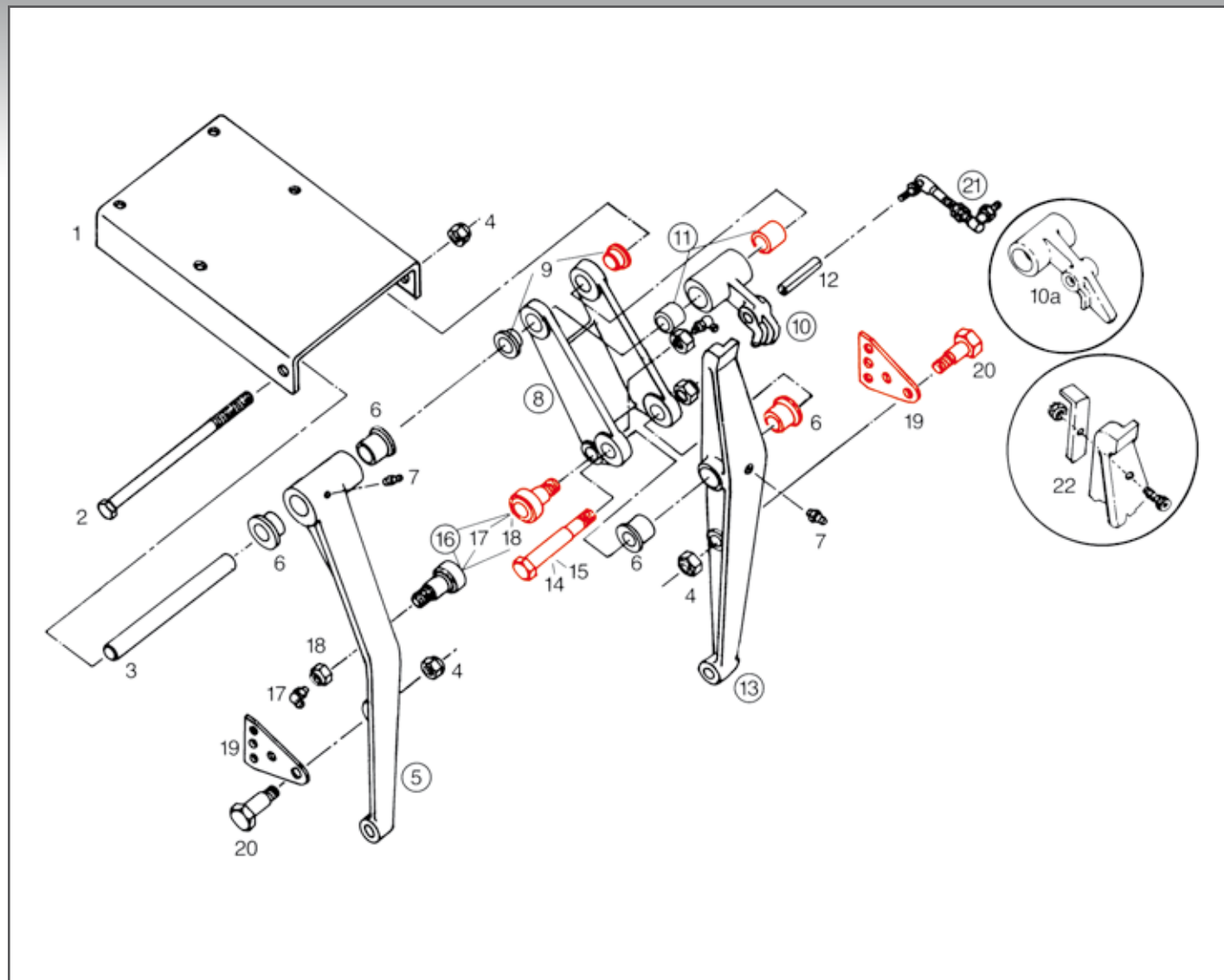
\* See page 103 for Repair and Exchange Program.  
 \*\* Not compatible with Elco Chassis unless all #6 PC Boards are of the new type 070 007 630.  
 \*\*\* Order Kit 610 070 300 to convert to MP 110V, order Kit 610 070 200 to convert to MP 220V.



GUARDS AND SAFETY LABELS



ITEM	PART NUMBER	DESCRIPTION
1	090004028	"Warning" Label
2	746605011	Contact Block
3	759517051	Palm Button Safety Switch
4	070011401	Ball Lift Guard Weld
5	070004713	Cover Guard Assembly
6	070011211	Danger Decal
7	070005614	Warning Decal
8	070004738	Toe Guard
9	000026247	Circuit Interrupt Sw. (Not Shown)
10	000022219	Pin Elevator Guard Assembly
11	070011393	Lh Belt Guard (Even)
12	070006279	Guard-Solenoid
13	070004690	Be Guard
14	070011392	Rh Belt Guard (Odd)
15	070010238	Bracket Front Guard Assy
16	088001174	Machine End Guard Assembly
17	070004691	Bracket Rear
18	070005361	Control-Cover Box

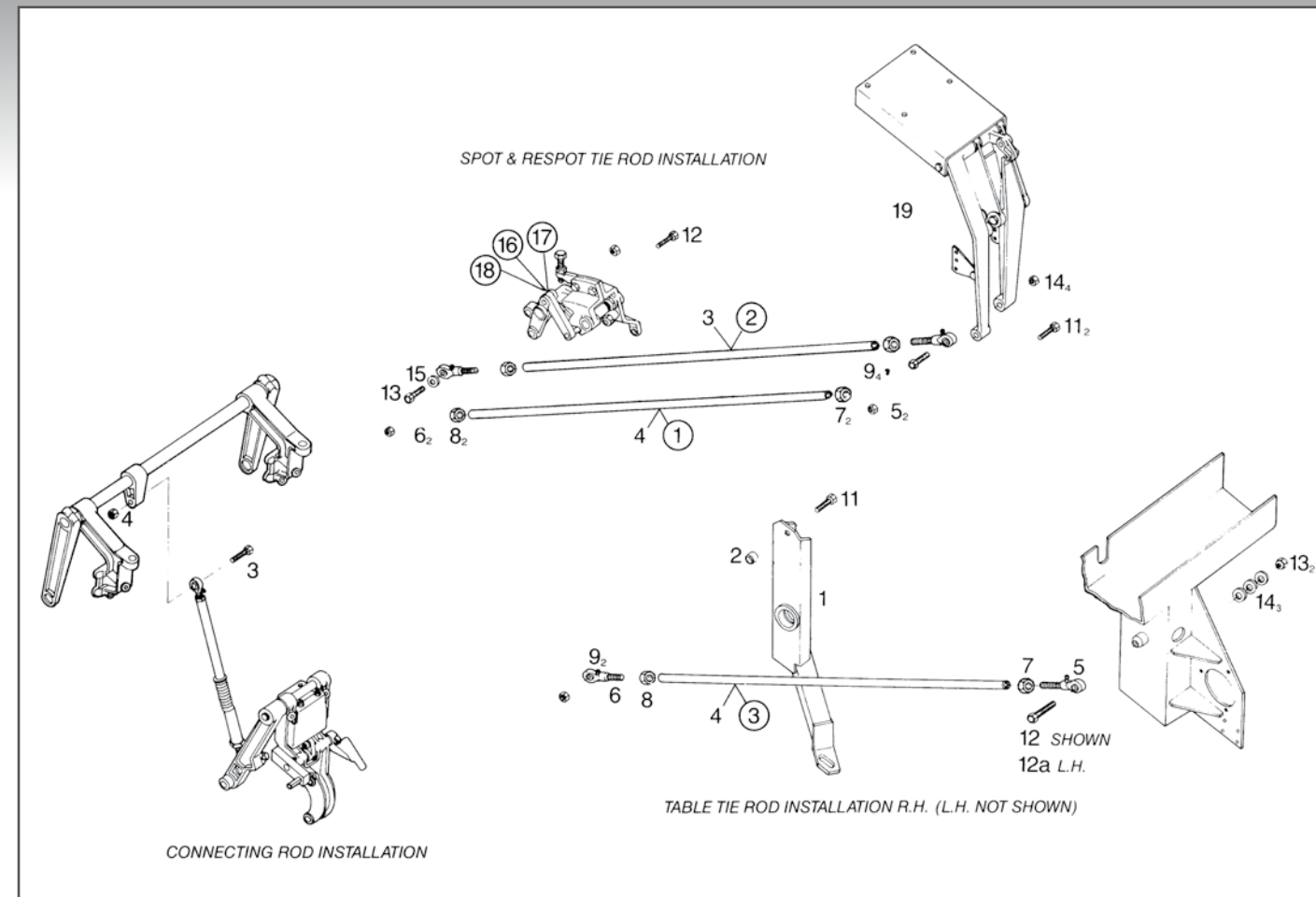
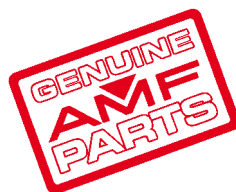


## SPOT & RESPOT LINK ASSEMBLY

ITEM	PART NUMBER	DESCRIPTION
1	070006478	Bracket
2	070006496	Screw-Hx 3/8-16 X 7
3	070006457	Shaft
4	839665002BG	Nut-Fix 3/8-16 (Bag 10)
5	070006492	Link Arm-Respot Assy
6	070001919BG	Flanged Bushing (Bag 10)
7	710501009	Fittng-Almte
8	070001605	Spot Link Assembly-Upper
9	070002691BG	Flanged Bushing (Bag 10)
10A*	070001997	Latch Assembly - Spt Arm Assy
11	900110141BG	Bearing SI (Bag 10)
12	913464360BG	Pin-Sprmg .375 X 2 1/4 (Bag 10)

ITEM	PART NUMBER	DESCRIPTION
13	070006481	Link Arm-Spot Assy
14	070001585	Pin-Spot Link
15	844073002BG	1/2-13 Stover Locknut (Bag 10)
16	610704002	Cam Follower Assembly
17	710501012	Fittng-Almte
18	844070002BG	7/16-20 Stover Lock Nut (Bag 10)
19	070001751	Hanger-Spring
19A	090005576	Hanger-Spring
20	070001587	Pin-Spring Hanger
21	070006493	Ball-Joint Assembly
22	610704127	Kit-Latch Override Use With Mp Chassis And 070006445 Latch Assembly

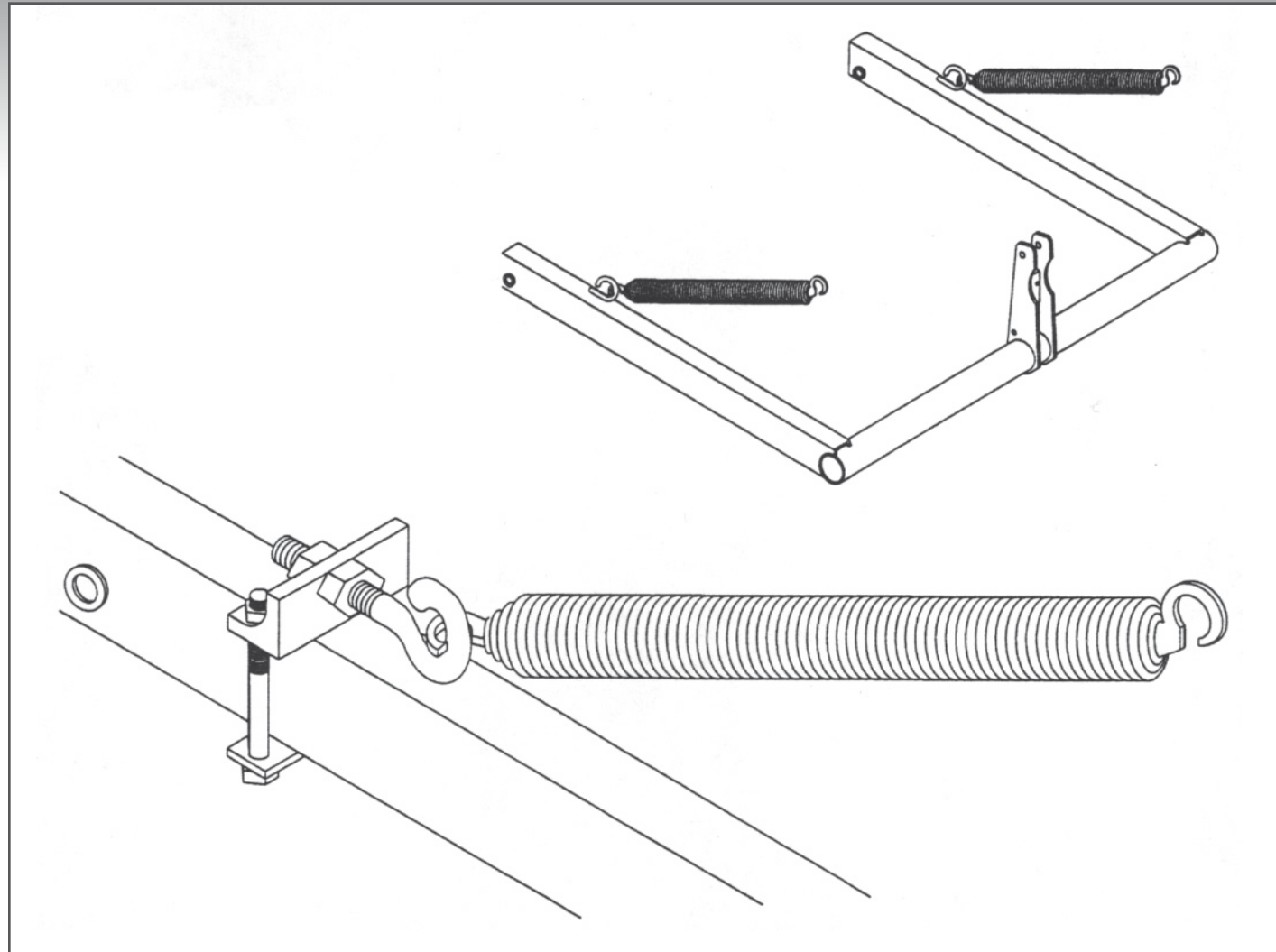
\* Item 10a or Item 22 is used when upgrading from Elco to MP Chassis.



## SPOT & RESPOT TIE ROD INSTALLATION

ITEM	PART NUMBER	DESCRIPTION
Spot & Respot Tie Rod Installation		
1	090005251	Tie Rod Assy Spotting
1A	090005251	Tie Rod Assy Respot
2	088005501	Spot Tie Rod Asm
3	070001607	Tie Rod Spot
4	070001606	Tie Rod Respot
5	000025004	End Fitting Rh
5A	090005264	End Fitting Rh
6	000025005	End Fitting Lh
6A	090005265	End Fitting Lh
7	835570002BG	Nut-Hex-Jam 7/16-20Hy (Bag 10)
8	835670002BG	Nut-Hex-Jam 7/16-20Lh (Bag 10)
9	710501013	Grease Fitting
11	809869365BG	Screw-Hex 7/16-14 X 2 1/4 (Bag 10)
12	809869245BG	Screw-Hex 7/16-14 X 1 1/2 (Bag 10)
13	809869285	Screw-Hex 7/16-14 X 1 3/4
14	844069002BG	Nut-Stvr-Lk 7/16-14 (Bag 10)
15	949100002BG	Washer-59/64 X 15/32 (Bag 10)
16	070002578	Lever Assembly Spot
17	070002727	Link & Bearing Assembly
18	070002728	Cam Link Bearing Assembly
19	070007761	Spot Respot Spring Hanger Repair Kit

ITEM	PART NUMBER	DESCRIPTION
Table Tie Rod Installation		
1	070007295	Table Support Assy Rh
1A	070007296	Table Support Assy Lh
2	070007303	Spacer-Front End
3	090005253	TIE ROD ASY-TABLE LEVELING
4	070001557	Tie Rod
5	000025004	End Fitting Rh
5A	090005264	End Fitting Rh
6	000025005	End Fitting Lh
6A	090005265	End Fitting Lh
7	835570002BG	Nut-Hex-Jam 7/16-20Ry (Bag 10)
8	835670002BG	Nut-Hex-Jam 7/16-20Lh (Bag 10)
9	710501013	Grease Fitting
11	809869325BG	Screw-Hexhdcap 7/16-14 X 2 (Bag 10)
12	809869445	Screw-Hex 7/16-14 X 2 3/4 (Obs)
12A	809869365BG	Screw-Hex 7/16-14 X 2 1/4 (Bag 10)
13	844069002BG	Nut-Stvr-Lk 7/16-14 (Bag 10)
14	949100002BG	Washer-59/64 X 15/32 (Bag 10)
Connecting Rod Installation		
3	809865245BG	Screw-Hex 3/8-16 X 1 1/2 (Bag 10)
3A	090005253	Tie Rod Assy
4	840065002BG	Nut-Fix-Tn 3/8-16 (Bag 10)



COUNTER BALANCE SPRING EYE REPAIR KIT

Includes:

- (1) Angle Bracket
- (1) Flat Bracket
- (2) 1/4" - 20 x 3-3/4" Hex Bolts
- (2) 1/4" - 20 Stover Lock Nuts
- (2) 3/8" - 16 Hex Jam Nuts
- (1) 3/8" - 16 x 3-1/2" Eyebolt

- Quick solution for broken spring hooks on the table torque tube
- A simple, strong and neat fix
- Installs quickly and easily - no welding or drilling
- An economical way to extend the life of equipment

Product Code 612070012

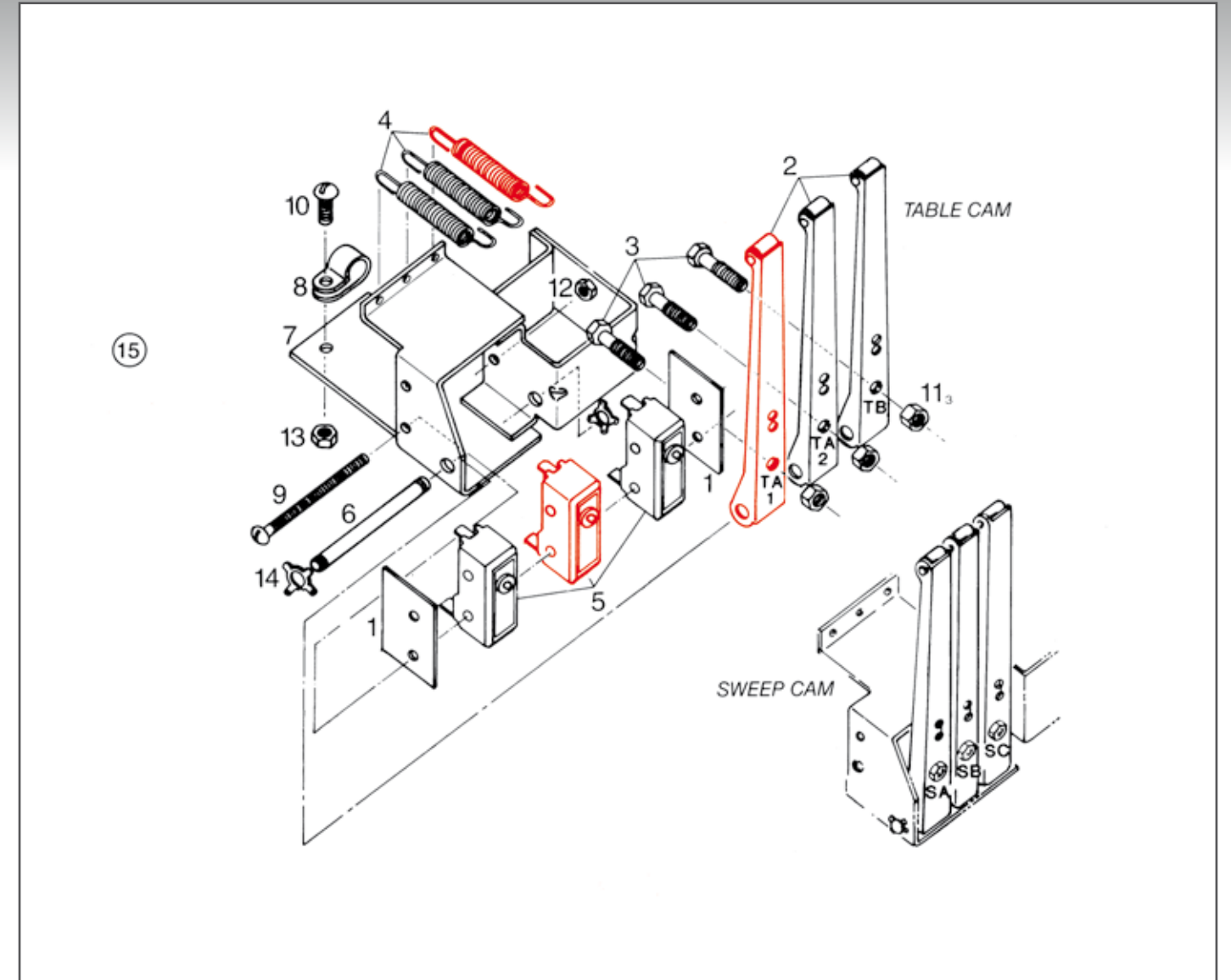
SPRING ROLLER PIN REPAIR KIT



Features:

- Use this kit if the original Stud breaks off
- Special Replacement stud with nut
- Comes with full instructions

Product Code 610704103

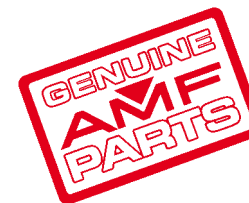


SWEEP & TABLE CAM SWITCH ASSEMBLY

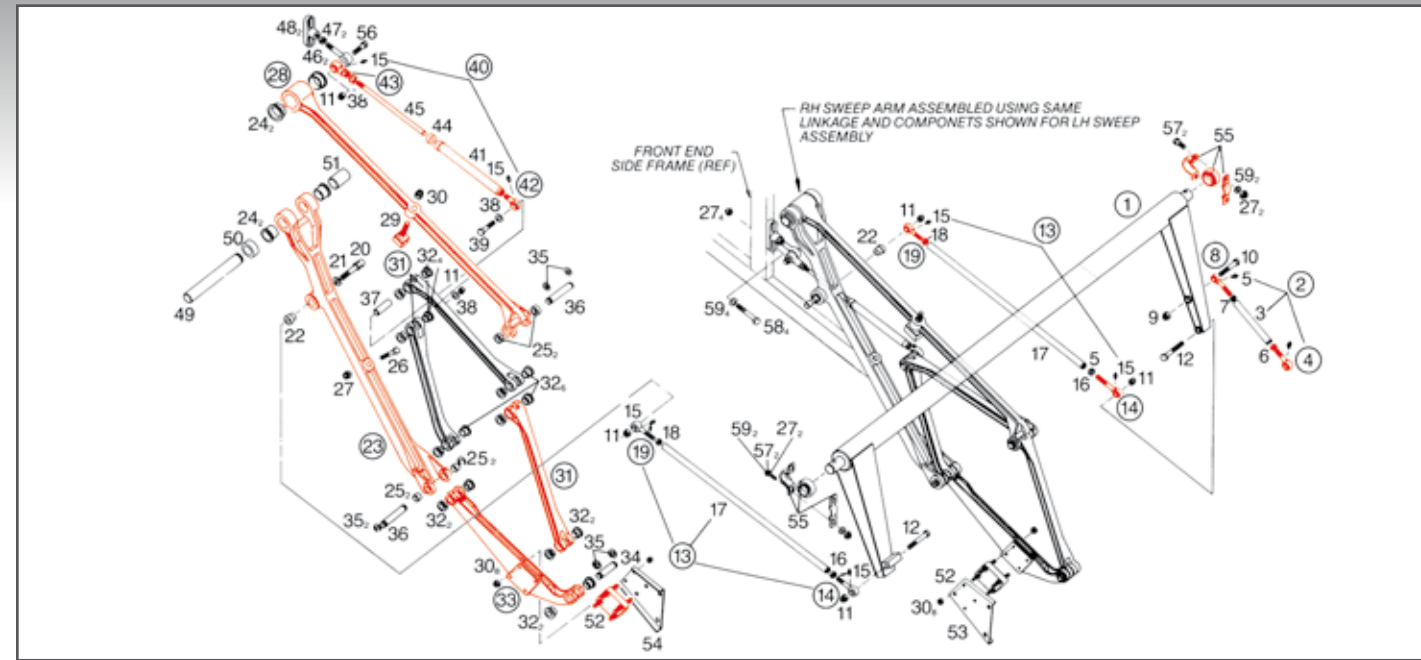
ITEM	PART NUMBER	DESCRIPTION
1	000021575	Insulator
2	000021645	Lever Assembly-Switch
3	000021714	Screw-Adjusting
4	000024657	Spring
5	000026042	Switch-Micro
6	000026401	Shaft
7	000026419	Housing Weldment
8	744203014	Clamp-Bumdy Hp-6N

ITEM	PART NUMBER	DESCRIPTION
9	818227402	Screw-Rh 6-32 X 2 1/2
10	818233082	Screw-Smrd 8-32 X 1/2
11	835550002	Nut-Hex-Jam 1/4-28
12	843127002	Nut-Kep 6-32 Wash
13	843133002	Nut-Kep 8-32 Wash
14	963200002	Washer-X 1/8 9000-8
15	070006420	Cam Switch Assy

Note: Use Gauge - 030 002 748 for starting adjustment of cams.





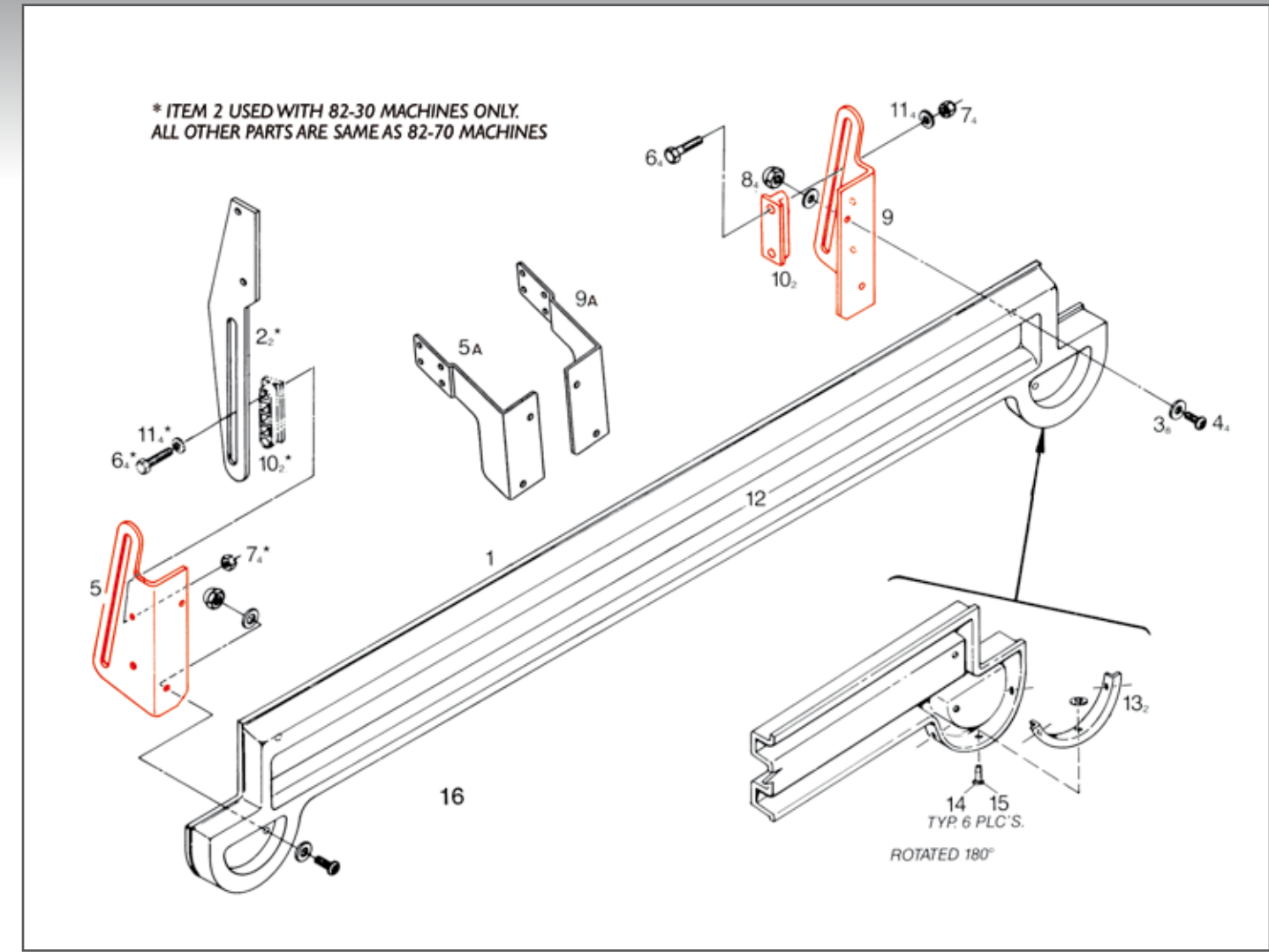


**SWEEP ASSEMBLY**

ITEM	PART NUMBER	DESCRIPTION
1*	610700156	82/70 Sweep Rocker Arm Replacement Kit
1A	090004010	Sweep Rocker Arm
1B	090004007	Tube Hanger Bracket (82-90 Style)
1C	090005015	Bearing Torque Tube (82-90 Style)
2	070003162	Cnect Rod Assembly Mtr
3	070003159	Tube-Motor Rod
4	088001352	End Fitting - Rh
5	710501013	Grease Fitting
6	835574002BG	Nut-Hex-Jam 1/2-20 Cd (Bag 10)
7	835674002BG	Nut-Hex-Jam 1/2-20 Lh (Bag 10)
8	088001351	End Fitting - Lh
9	844073002BG	1/2-13 Stover Locknut (Bag 10)
10	070003245	Screw-Rock.Arm-Swep.Lk
11	844069002BG	Nut-Stvr-Lk 7/16-14 (Bag 10)
12	809869365BG	Screw-Hex 7/16-14 X 2-1/4 (Bag 10)
13	090005254	Dr Link Conn Rod Assy
14	000025004	End Fitting Rh
14A	090005264	End Fitting - Lh
15	710501013	Grease Fitting
16	835570002BG	Nut-Hex-Jam 7/16-20Hy (Bag 10)
17	090005254	Dr Link Conn Rod Assy
18	835670002BG	Nut-Hex-Jam 7/16-20Lh (Bag 10)
19	000025005	End Fitting Lh
19A	090005265	End Fitting Lh
20	070003231	Pin Bearing
21	070003117	Spacer Drive Link
22	070003234BG	Bearing Fl .437 X .75 X .62 Lg (Bag 10)
23	070003158	Link-Drive Assembly-Sweep
24	000023104	Bearing Fl 1.25 X 1.5 X .953
25	000023105BG	Bearing-Slv .628 X .815 X .396 (Bag 10)
26	070003221	Screw-Sweep Link Assembly
27	839665002BG	Nut-Flx 3/8-16 (Bag 10)
28	088000093	Sweep Link Stabilizer

\* Kit includes all bushings and hardware to replace 610700156 - ROCKER ARM REPLACEMENT KIT.

ITEM	PART NUMBER	DESCRIPTION
29	000023279	Bumper-Urethane
30	844057002BG	5/16-18 Stover Locknut (Bag 10)
31	070003242	Sweep Link Cast
32	000023114BG	Brg Fl.628X.815X.06 (Bag 10)
33	070003184	Support-Link Assembly-Swp
34	070003189	Pin-Bearing.Sweep Link
35	919010700BG	Ring-Ret. 5133-62 (Bag 10)
36	070003103	Pin-Bearing.Sweep Link
37	070003173	Bearing Sl .438 X .624 X 2 "Lg"
38	949100002BG	Washer-59/64 X 15/32 (Bag 10)
39	070003235	Screw-Sweep Lk. 7/16-14
40	070007280	Sweep Link Assembly Teles
41	070007278	Tube Weld Link Assy
42	070007281	Rod End Link Assembly
43	070007282	Rod End Link Assembly
43A	090005257	Rod End Male
44	070007283	Bumper Link Assembly
45	070007276	Rod Link Assembly
46	070003223	Link-Threaded-Sweep
47	835582002	5/8-18 Unf Hex Thin Nut- Pltd
48	070003222	Brkt-Shock Mounting
49	070003106	Shaft Main Pivot
50	070003233	Spacer-Sweep Link Lh
51	070003232	Spacer-Long Swp Lk L
52	070003195	Shock Mount
52A	090006136	Shock Mount- 90S/8800S
53	070003190	Brkt-Shock Rh-Sweep (10 Side)
54	070003191	Brkt-Shock Lh-Sweep (7 Side)
55	000022811	Pillow Block
56	809869405BG	Screw-Hex 7/16-14 X 2-1/2 (Bag 10)
57	809865285	Screw-Hex 3/8-16 X 1-3/4
58	809865565BG	Screw-Hex 3/8-16 X 3-1/2 (Bag 10)
59	948761112BG	5/16 Wrought Washer (Bag 10)
60	804557731	U-Bolt 5/16-18 X 4.440



**SWEEP BAR MOUNTING ASSEMBLY**

ITEM	PART NUMBER	DESCRIPTION
1	300000182	Sweep Bar & Cap Assembly
2	030008361	Brkt-Hanger-Sweep Assembly
3	948722111BG	Washer-Pl 11/32Bl Oxid (Bag 10)
4	808557140BG	Screw-Sbhc 5/16-18 X 7/8 (Bag 10)
5	000023171	Steel Sweep Mtg Brkt Lh (7 Side)
5A	090001171	Brkt-Sweep L.H. (7 Side)
6	809857245BG	Screw-Hex 5/16-18 X 1 1/2 (Bag 10)
7	844057002BG	5/16-18 Stover Locknut (Bag 10)
8	830057002BG	Nut Acorn Lok 5/16-18 (Bag 10)
9	000023170	Steel Sweep Mtg Bracket Rh (10 Side)

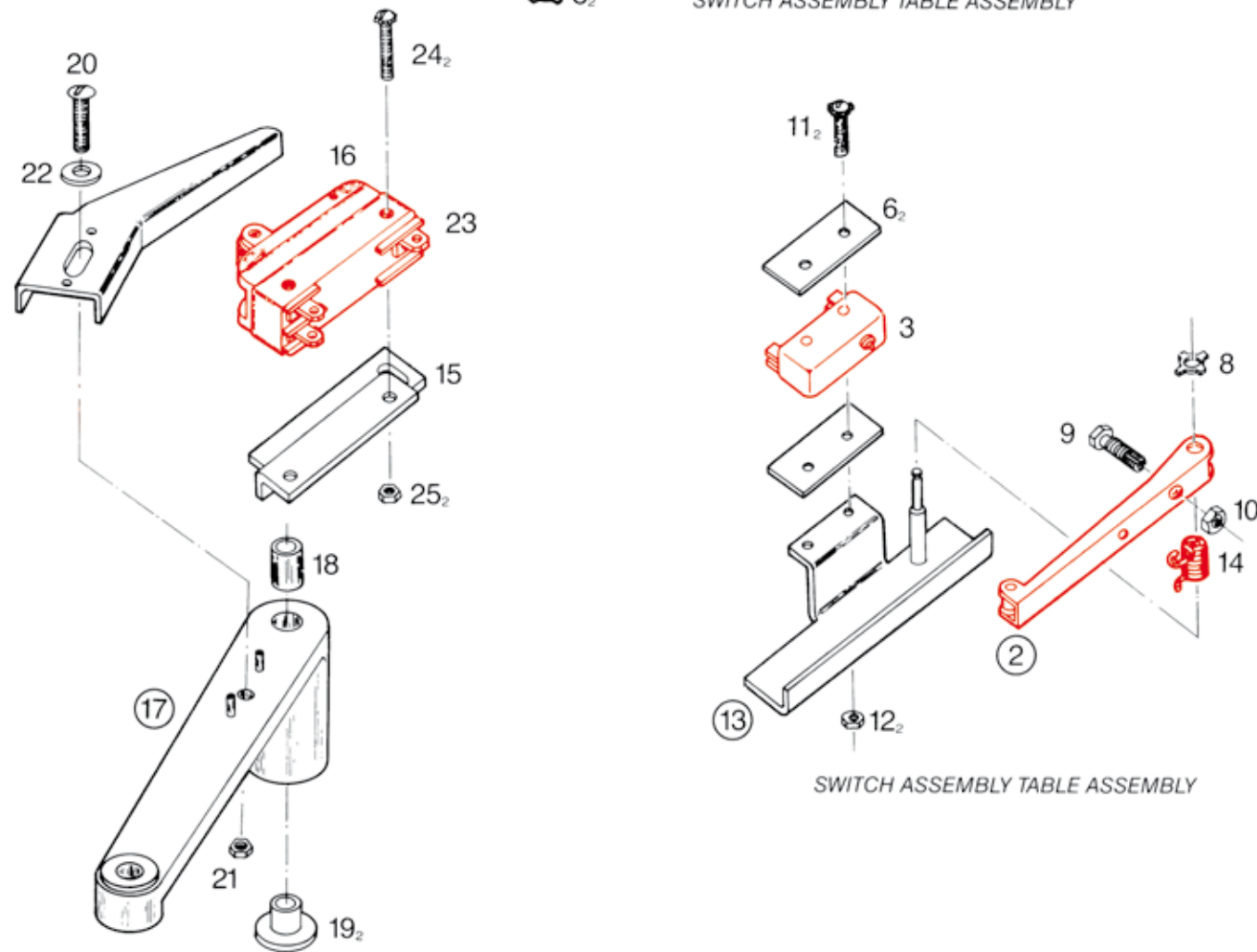
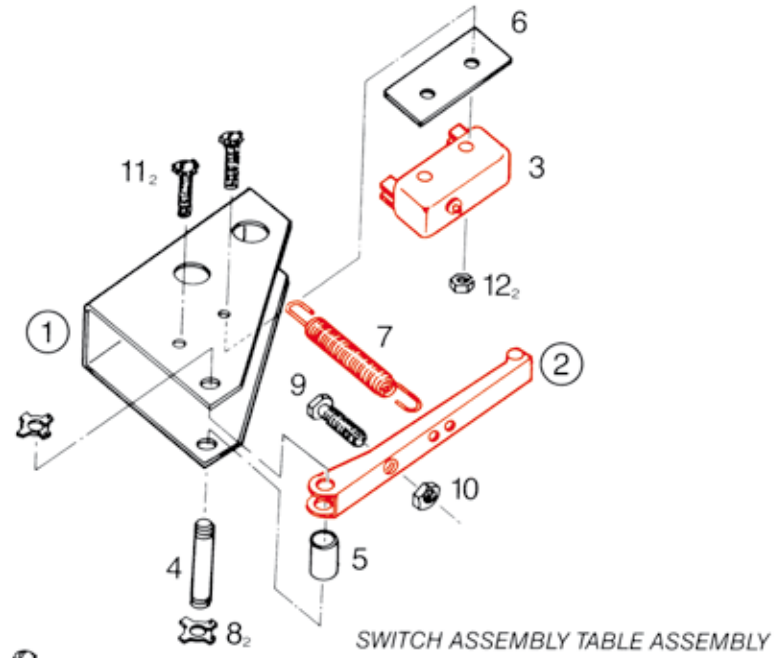
ITEM	PART NUMBER	DESCRIPTION
9A	090001170	Brkt-Sweep R.H. (10 Side)
10	000023182	Slide Bar
11	948761112BG	5/16 Wrought Washer (Bag 10)
12	090006166	Decal Amf Sweep Glow
13	300000175	Urethane Cap-Sweep Bar
14	938637100BG	Pop Rvt3/16Al Dme Hd (Bag 10)
15	749537068	Washer
16	090006166	Decal 82-90XI Glow
17	610700150	Sweepbar Kit For Machine Pair

Note: When Using Part 300 000 182, Sweep Bar On Brunswick Machine, Use Brackets Part Number 233 001 309 - Bracket Rh And 233 001 307 - Bracket Lh.

**SPECIAL TOOLS - SWEEP**

030002748	Cam Gauge
088001216	Frame/Sweep/Dist Gauge



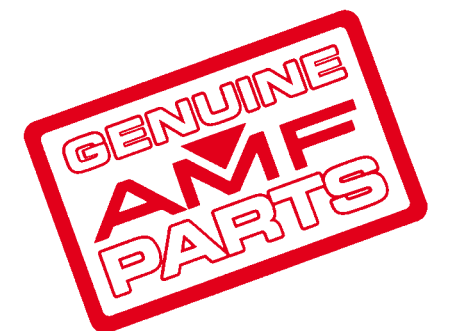


SWITCH & LEVER ASSEMBLY  
(70 A MACHINE TO SERIAL #93200)

SWITCH ASSEMBLY TABLE ASSEMBLY

ITEM	PART NUMBER	DESCRIPTION
1	070006695	Brkt-Switch Assembly
2	000021645	Lever Assembly-Switch
3	000026042	Switch-Micro
4	070006693	Shaft-Switch Assembly
5	070006694	Spacer-Switch Assembly
6	00002296BG	Insulator-Switch (Bag 10)
7	000024657	Spring
8	963200002BG	Washer-X 1/8 9000-8 (Bag 10)
9	000021714	Screw-Adjusting
10	835550002BG	Nut-Hex-Jam 1/4-28 (Bag 10)
11	818227162BG	Screw-Smrd 6-32 X 1 (Bag 10)
12	839527002BG	Nut-Flx-Tk 6-32 Ht (Bag 10)
13	070006697	Switch Asy - Table

ITEM	PART NUMBER	DESCRIPTION
14	070002762	Spring-Swch.Lev-Tbl - (OBS)
15	070006697	Switch Asy - Table
16	070006697	Switch Asy - Table
17	070002758	Lever & Bushing Assembly
18	070002652BG	Bearing Sl .252 X .315 X .5 Lg (Bag 10)
19	070002653BG	Bearing Fl .252 X .315 X .38 (Bag 10)
20	808640141BG	Screw-Soc Lk 10-32 X 7/8 (Bag 10)
21	843140002BG	Nut-Kep 10-32 Wash (Bag 10)
22	948745082BG	Washer- 7/32 X 1/2 X 1/16 (Bag 10)
23	000026247	Switch
24	813727162	Screw 6-32 X 1.0 - Obs
25	838727002BG	Nut-Hex-Esn 6-32 Lt (Bag 10)



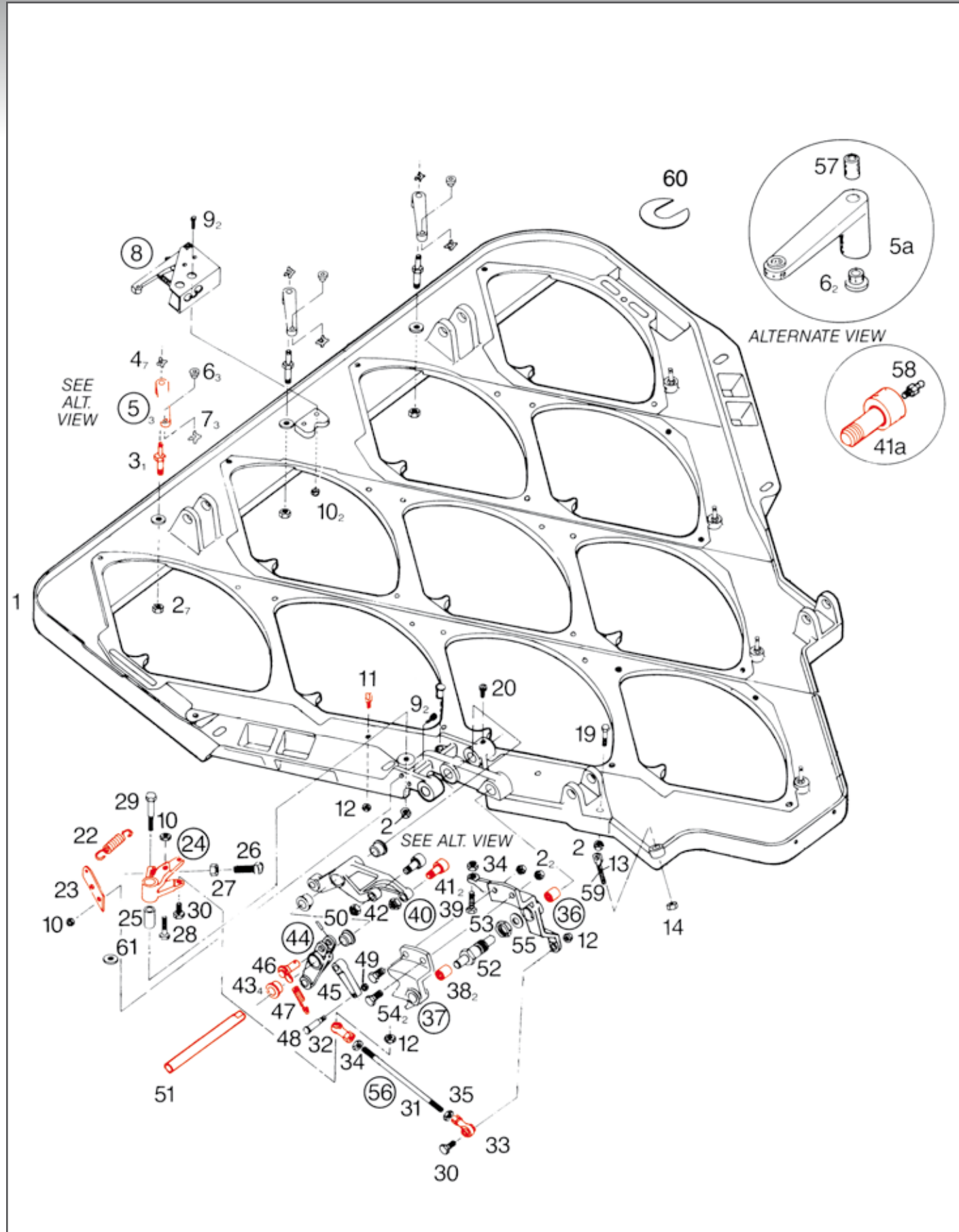


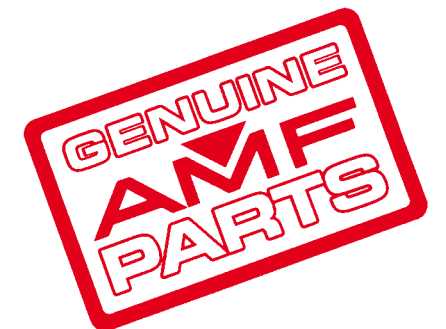
TABLE ASSEMBLY

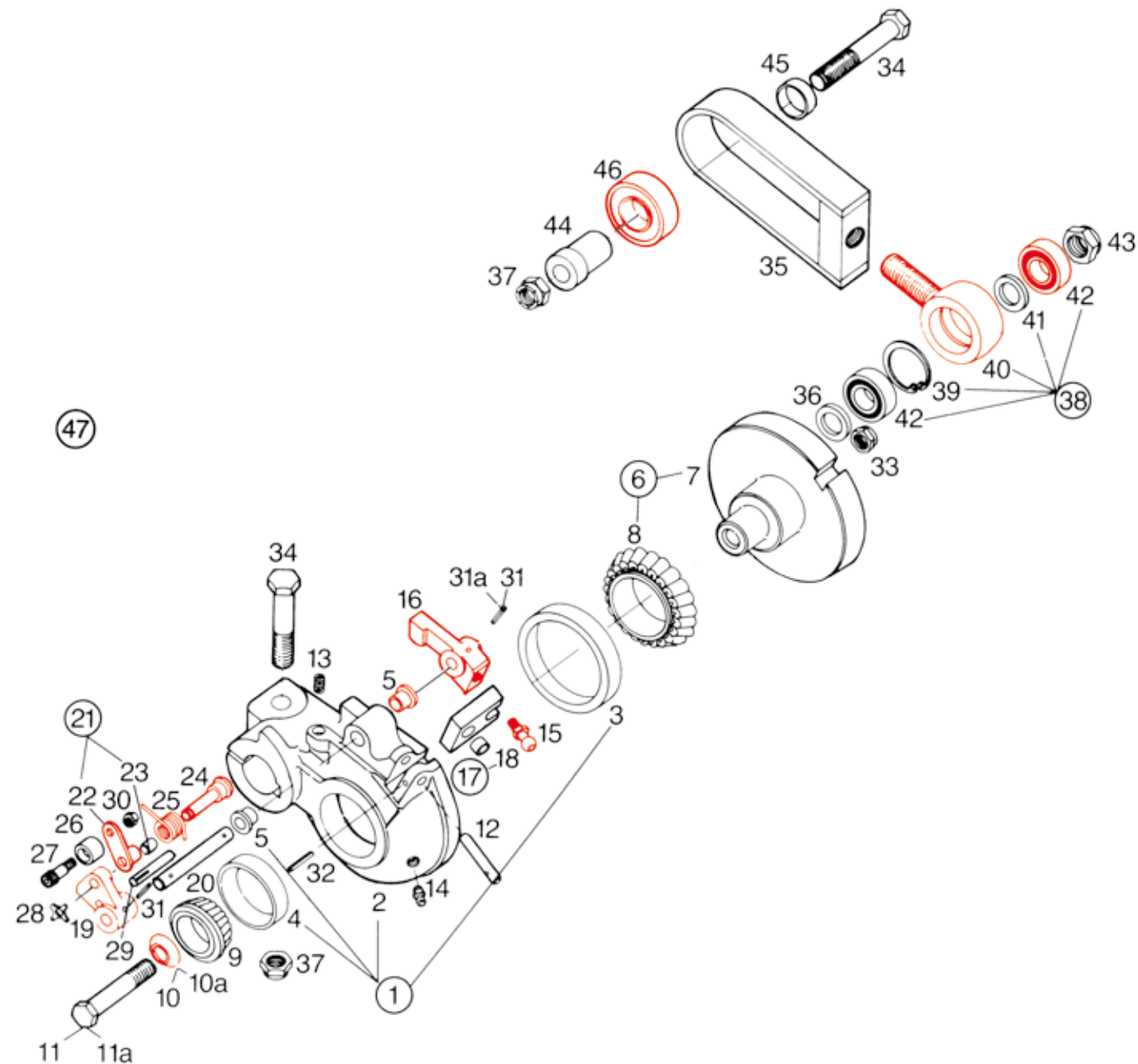
ITEM	PART NUMBER	DESCRIPTION
1	520702684	Table Casting (Obs)
2	839665002BG	Nut-Flx 3/8-16 (Bag 10)
3	070007616BG	Pin-Pivot 5/16 Dia (Bag 10)
3A	070002681BG	Pin Rspt Lever Pivot (Bag 10)
4	963400002BG	Washer-X 3/16 (Bag 10)
5	070002680	Lever Respot Asy
5A	070007622	Lever Respot Asy
6	070002653BG	Bearing Fl .252 X .315 X .38 (Bag 20)
7	963200002BG	Washer-X 1/8 (Bag 10)
8	070006697	Switch Asy Table (See Pg 12)
9	810239120BG	Screw-Soc 10-24 X 3/4 (Bag 10)
10	839539002BG	Nut-Flx-Tk (Bag 10)
11	070002702	Stop Respot
12	844049002BG	1/4-20 Lock Nut (Bag 10)
13	070002577	Stud Spring Yoke Asy
14	844057002BG	5/16-18 Stover Locknut (Bag 10)
19	809865125BG	Screw-Hex 3/8-16 X 3/4 (Bag 10)
20	807357060BG	Screw Stso 5/16-18 X 3 (Bag 10)
22	070002732BG	Spring (Bag 2)
23	070002734	Brkt Spring Cam Link
24	070002583	Link Asy Actuating
25	070002715	Bearing Sl .502 X .689 X 1.5
26	806749160	Scr Sqhd Set1/4-20X1
27	835549002BG	1/4-20 Jam Nut (Bag 10)
28	070002733	Screw Cam Link Table
29	070002584	Pin Bell Crank
30	809849165BG	Screw-Hex 1/4-20 X 1 (Bag 10)
31	070002581	Tie Rod
32	000022738	Rod End Rh
33	000022737	Rod End Lh

ITEM	PART NUMBER	DESCRIPTION
34	835550002BG	Nut Hex Jam 1/4-28 (Bag 10)
35	835650002BG	Nut Hex Jam 1/4-25 Lh (Bag 10)
36	070002728	Cam Link Bearing Asy
37	070002727	Link & Bearing Asy
38	070002781	Bearing Needle
39	070001871	Screw-Hex Hd Cam Link
40	070002578	Lever Asy Spot
41	070002816	Cam Follower
42	840066002BG	Nut-Flx-Tn 3/8-24 (Bag 10)
43	070002745BG	Bearing Fl .626 X .814 X 1/2
44	070002579	Lever Asy Finger
45	070002590	Finger Link
46	070001804	Pivot Weld Respot
47	070001807	Spring Respot Finger
48	090005629	Pin
49	843140002BG	Nut-Kep 10-32 Wash (Bag 10)
50	913423160BG	Pin Spring .125 X 1 (Bag 10)
51	070002585	Shaft Lever Tbl Asy
52	070002726	Shaft Tbl Asy
53	840600002BG	Nut Flx Link 7/8 X 14 (Bag 10)
54	809865205BG	Screw Hex 3/8-16X1 1/4 (Bag 10)
55	701320046	Bearing Th .628 X 1 X 1/16
56	070002594	Tie Rod Asy
57	070002652BG	Bearing Sl .252 X .315 X .5Lg (Bag 20)
58	710501009	Fitting
59	070002596	Spring (Not Shown)
60	000021784	Washer Slotted
61	701316041BG	Brg Th.5100X 1 X1/16 (Bag 10)

SPECIAL TOOLS - TABLE

070006519	Rs/Cup/Spot Height Gauge
070006587	Table Flag Locating Tool
030003943	Motor Crank
088001217	Yoke Toe Gauge
792020044	Combination Square
792505005	Spring Puller
088001216	Frame/Sweep/Dist Gauge





ITEM	PART NUMBER	DESCRIPTION
44	070006276	Spring
45	070006724	Link-Spng .250 Hole
45A*	070006281	Link-Spng .156 Hole
46***	070006282	Link
47	913448120BG	Pin-Sprng.250 X 3/4 (Bag 10)
48	610704015	Kit-Link Assy
49	070008135	Link Assembly
50	900204121BG	Brg Fl.25X.378X3/4Lg (Bag 5)
51	913415100BG	Pin-Sprng .094 X 5/8 (Bag 10)
52	070008133BG	Spacer-Link Assy (Bag 2)
53	070006287	Pin Long
54	070001774	Link Assembly

ITEM	PART NUMBER	DESCRIPTION
55	070002653BG	Brg Fl.252X.315X.38 (Bag 20)
56	963200002BG	Wshr-X 1/8 9000-8 (Bag 10)
57	070006307	Link Assembly-Shuttle Dr
58	070001777	Pin
59	913415100BG	Pin-Sprng .094 X 5/8 (Bag 10)
60	070006142BG	Bumper (Bag 10)
61	070006280	Clip-Spring-Shutl.Dr
62	070006283	Spring
63	610704120	Conv Kit Dbl-Sgl Sol (Not Pictured)
64	710502010	Fittng-Heim*Lu640
	610704120	Double To Single Solenoid Conversion Kit (Not Pictured)

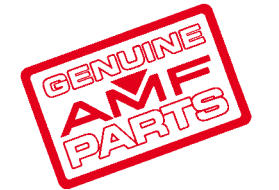
\* Used prior to serial #110172 these parts used only with item #34 or 34A. Solenoids with 5/32 Dia. plunger hole. Apply locktite item #35B (Nut) at assembly.  
 \*\* Mount solenoids so that stroke is vertical in all directions, within + 1/64 inch. When replacing solenoid for the first time with item 42, need cable part 090 003 739.  
 \*\*\* If replacing item #34 or 34a solenoid with items #42 or 47 and #42a and 47 cut 1/16 inch off top item #46 to bring overall length to 2 29/32 inch. (Check length of item #46 before cutting)

**TABLE DRIVE ASSEMBLY**

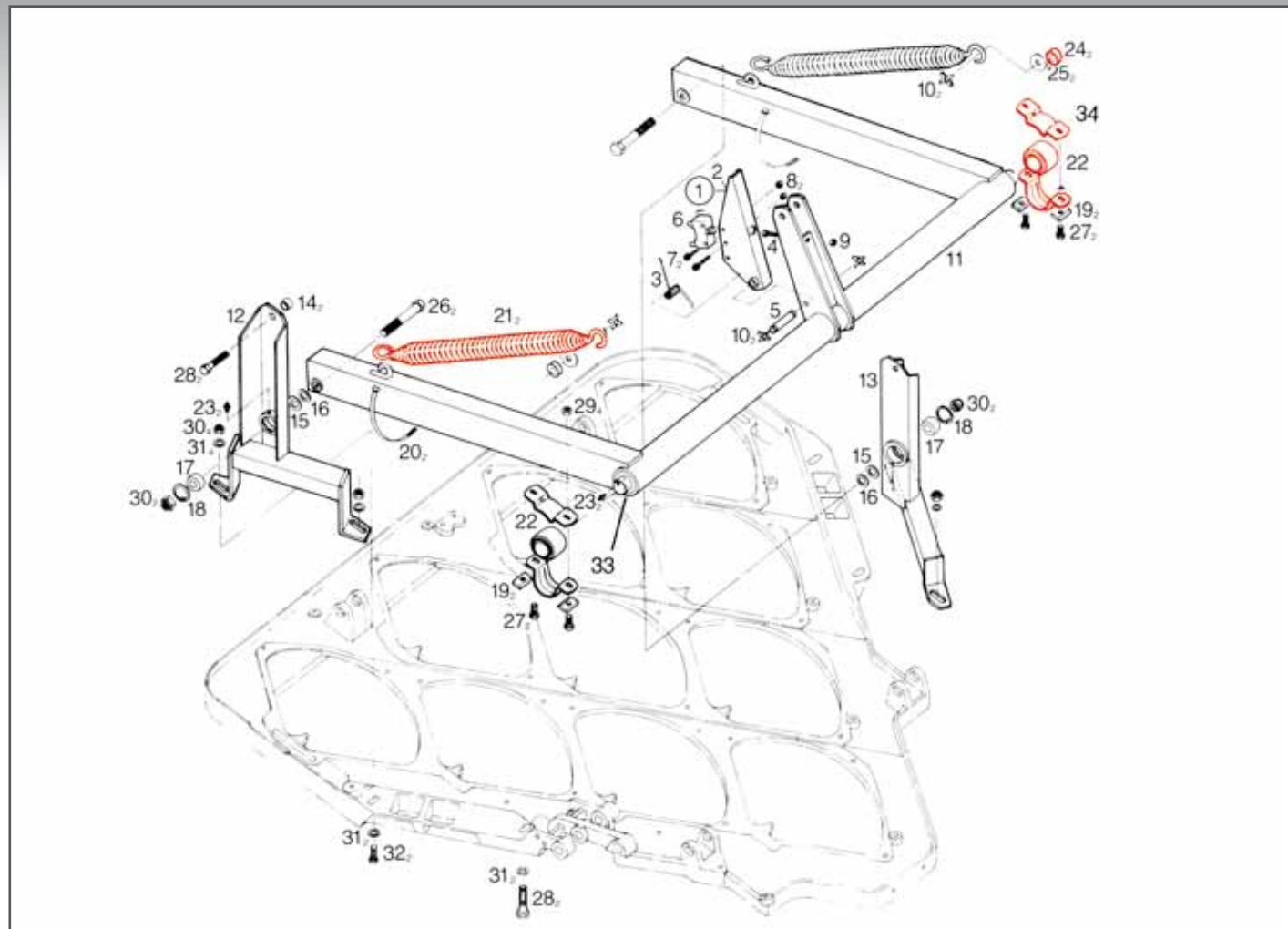
ITEM	PART NUMBER	DESCRIPTION
1	070002778	Housing/Cup Assembly
3	070002777	Cup-Roller Bearing Lg
4	070002780	Cup-Roller Bearing Sm
5	900205053BG	Bearing Fl .315 X .44 X 5/16
6	070002779	Eccentric & Cone Asm
7	070001877	Eccentric-Table Dr.
8	070002776	Bearing Cone RI-Tbl Drv
9	070002824	Cone & Seal Assy
10	070006729	Disc Spring
11	809870285BG	Screw-Hex 7/16-20 X 1 3/4
11A	809870325BG	Screw-Hex 7/16-20 X 2
12	070001894	Pin-Pivot
13	070001917BG	Spring-Compression (Bag 5)
14	710501004	Fittng-Almte* 1641
15	070001893	Cam Ball Assembly
16	070008321	Arm-Latch
17	070001898	Latch Assembly
18	900104071BG	Brg Sl Bz .253X7/16 (Bag 5)
19	070008322	Link-Actuator Assembly
20	070008325	Pin-Actuator Assembly
21	070007250	Link Hub Assembly
23	070002652BG	Brg Sl.252X315x.5Lg (Bag 20)
24	070001932	Pin
25	070001931	Spring
25A	070001844	Spring-Actuator
26	070001857BG	Roller Nylon (Bag 2)
27	880139120BG	Screw-Shld 1/4 X 3/8

ITEM	PART NUMBER	DESCRIPTION
28	963300002BG	Wshr-X 5/32 9000-10 (Bag 10)
29	912137200BG	Pin-Grv 3/16X1 1/4T3 (Bag 10)
30	839539002BG	Nut-Flx-Tk *10-24 Ht (Bag 10)
31	913423120BG	Pin-Sprng.125 X 3/4 (Bag 10)
32	913415120BG	Pin-Sprng.094 X 3/4 (Bag 10)
33	840070002BG	Nut Flex 7/16-20 (Bag 10)
Note: The Following Parts (34-46) Are Notincluded In 070001840 Table Drive Assembly		
34	809873525BG	Scr-Hx 1/2-13X3 1/4 (Bag 100)
35*	070007755	Yoke Weldment
36	070001849	Washer-Special
37	844073002BG	1/2-13 Stover Locknut
38	000021880	Rod End Assembly
39	919000600BG	Ring-Ret. 5000-137
41	000021878	Spacer Rod Assembly
42	000021881	Bearing Bl .625 X 1.375
43	840182002BG	Nut Flx Lk 31Fk1018
44	070007310	Bearing Fl .502 X .871 X 1.20
45	070007311	Sleeve-Table Dr Assembly
46	190001490	Bearing Bl .8750 X .0875 X .5
47	070001840	Table Drive Assembly
Not Shown	610704012	Kit For Old Style Table Drive
	610704133	Pin Replacement Kit-Table Drive

\* See price book for exchange and repair program.  
 Note: Lubricant for Motor: 715 021 706 OIL 82-90 MTR 12QTS TO A CASE



# TABLE TORQUE TUBE ASSEMBLY

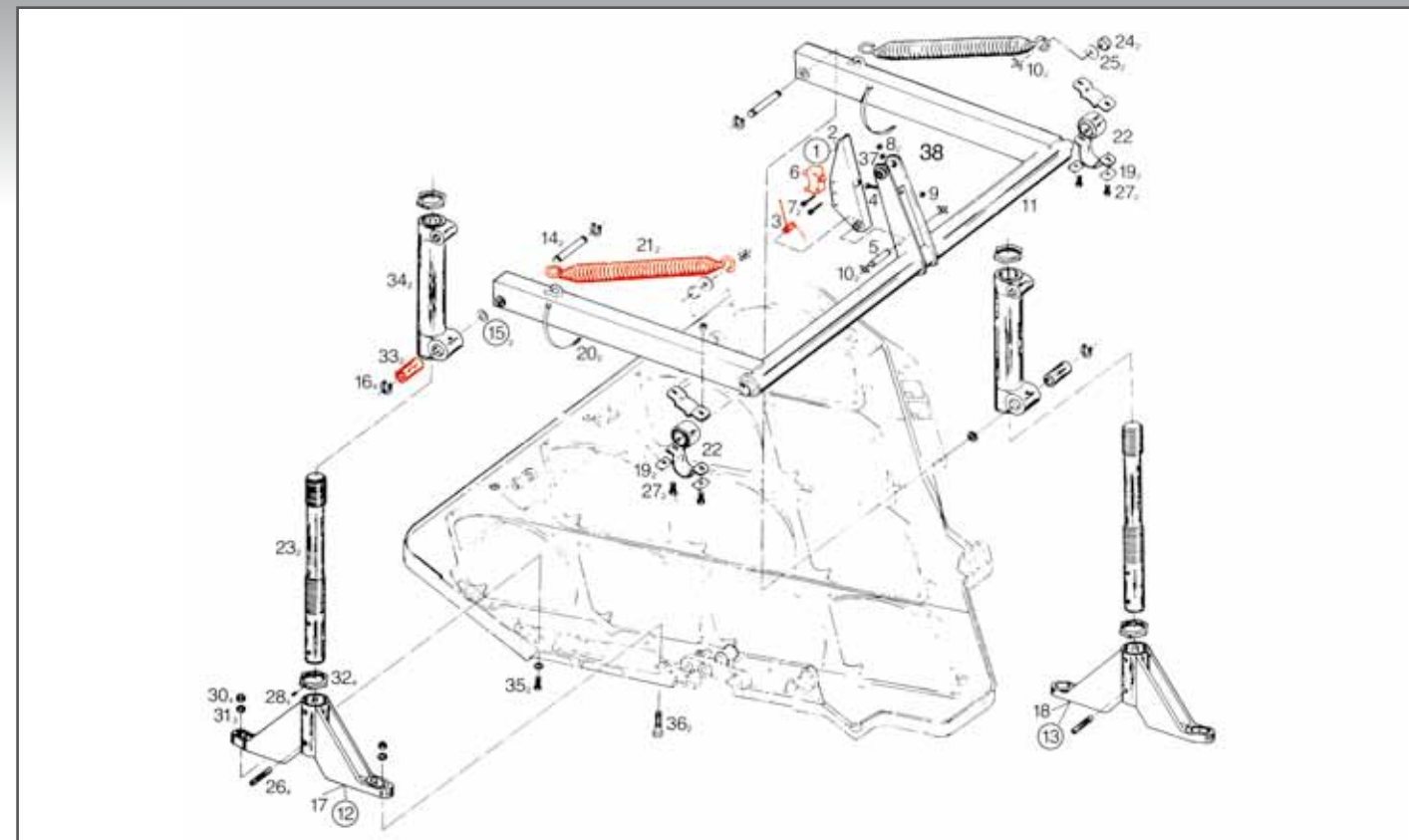


## TABLE TORQUE TUBE ASSEMBLY

ITEM	PART NUMBER	DESCRIPTION
1	070001852	Lever Table Arm
2	070001852	Lever Table Arm
3	070001853	Spring
4	070001854	Screw-Adjusting
5	070001591	Pin-Hook Spot
6	000026042	Switch-Micro
7	818227202BG	Screw-Smrd 6-32X1 1/4 (Bag 10)
8	843127002BG	Nut-Kep 6-32 Wash (Bag 10)
9	839549002BG	Nut-Flx-Tk 1/4-20 Ht (Bag 10)
10	963400002BG	Washer-X 3/16 9000-12 (Bag 10)
11	610704003	Torq Tube Conversion Kit
12	070007296	Table Support Assylh (7 Side)
13	070007295	Table Support Assyrh (10 Side)
14	070007303	Spacer-Front End
15	070007302	Spacer-Front End
16	070007752	Spacer
17	070002698	Bearing Sr .625 X 1 .562 X 7/8
18	919000700BG	Ring - Ret (Bag 10)
19	070008182	Block-Bearing
20	770011010	Tyrap 14.19 Inch Lg
21	000022782	Spring Counter Bal

ITEM	PART NUMBER	DESCRIPTION
22	000022811	Pillow Block
23	710501009	Fittng-Almte*3006
24	070001668	Roller-Spring
24A	090003795	Roller-Plastic
25	945867242BG	Washer-13/32X1 1/2 (Bag 10)
26	809881640BG	Screw-Hex Hdcap5/8-11X4 (Bag 10)
27	809865245BG	Screw-Hex 3/8-16X1 1/2 (Bag 10)
28	809869325BG	Screw-Hexhdcap7/16-14X2 (Bag 10)
29	840065002BG	Nut-Flx-Tn 3/8-16 (Bag 10)
30	844081002BG	Nut-Stvr-Lk 5/8-11 (Bag 10)
31	949100002BG	Washer-59/64X15/32 (Bag 10)
32	809869245BG	Screw-Hex 7/16-14X1 1/2 (Bag 10)
33	000023646	Shim Yoke
34	030003938	Strap Pillow Block
Not Shown	610704103	Spring Roller Pin Repair Kit
	000021784	Pacman Washer/ Slot Washer
	612070012	Counterbalance Spring Eye Repair Kit
	090004007	Tube Hanger Bracket (82-90 Style)
	090005015	Bearing Torque Tube (82-90 Style)

# TABLE TORQUE TUBE ASSEMBLY - OLD



## TABLE TORQUE TUBE ASSEMBLY - OLD

ITEM	PART NUMBER	DESCRIPTION
1	070001852	Lever Table Arm
2	070001852	Lever Table Arm
3	070001853	Spring
4	070001854	Screw Adjusting
5	070001591	Pin-Hook Spot
5A	880457240	Screw Shld 3/8X1 - (OBS)
5B	839057002BG	Nut Hex Esn Tm 5116-18 (Bag 10)
6	000026042	Switch Micro
7	818227202BG	Screw Smrd 6-32X1 1/4 (Bag 10)
8	843127002BG	Nut-Kep 6-32 Wash (Bag 10)
9	839549002BG	Nut-Flx-Tk 1/4-20 Ht (Bag 10)
10	963400002BG	Washer-X 3/16 9000-12 (Bag 10)
11	610704003	Torque Tube Conversion Kit
12	070007296	Table Support Assembly Lh
	070007295	Table Support Assembly Rh
13	070007296	Table Support Assembly Lh
	070007295	Table Support Assembly Rh
14	070001583	Pin-Front End Assy
15	070007302	Spacer Front End
16	919010700BG	Ring - Ret (Bag 10)
17	070007296	Table Support Assembly Lh
	070007295	Table Support Assembly Rh
18	070007296	Table Support Assembly Lh
	070007295	Table Support Assembly Rh
19	070008182	Block Bearing
20	770011010	Tyrap 14.19 Inch Long

ITEM	PART NUMBER	DESCRIPTION
21	000022782	Spring Counter Bal
22	000022811	Pillow Block
23	070007296	Table Support Assembly Lh
	070007295	Table Support Assembly Rh
24	070001668	Roller-Spring
25	945867242BG	Washer-13/32X1 1/2 (Bag 10)
26	913456320BG	Pin-Spring .312X2 (Bag 10)
27	809865245BG	Screw-Hx 3/8-16X1 1/2 (Bag 10)
28	070001909	Screw-Set-Nylon Tip
29	840065002BG	Nut-Flx Tn 3/8-16 (Bag 10)
30	844069002BG	Nut Svr-Lk 7/16-14 (Bag 10)
31	949100002BG	Washer 59/64-15/32-1/16 (Bag 10)
32	070007296	Table Support Assembly Lh
	070007295	Table Support Assembly Rh
33	900110403	Brg Sl .628X2 1/2 Lg
34	070007296	Table Support Assembly Lh
	070007295	Table Support Assembly Rh
35	809869365BG	Scr-Hx 7/16-14X2 1/4 (Bag 10)
36	809869445	Scr-Hx 7/16-14X2 3/4 (OBS)
37	070001924	Brg-Fl .753X.9395X.58
38	070001926	Pin
Not Shown	090004007	Tube Hanger Bracket (82-90 Style)
	090005015	Bearing Torque Tube (82-90 Style)

Note: Items 17, 18, 34 and related assemblies are no longer available. Order 070007295 and 070007296 table supports.



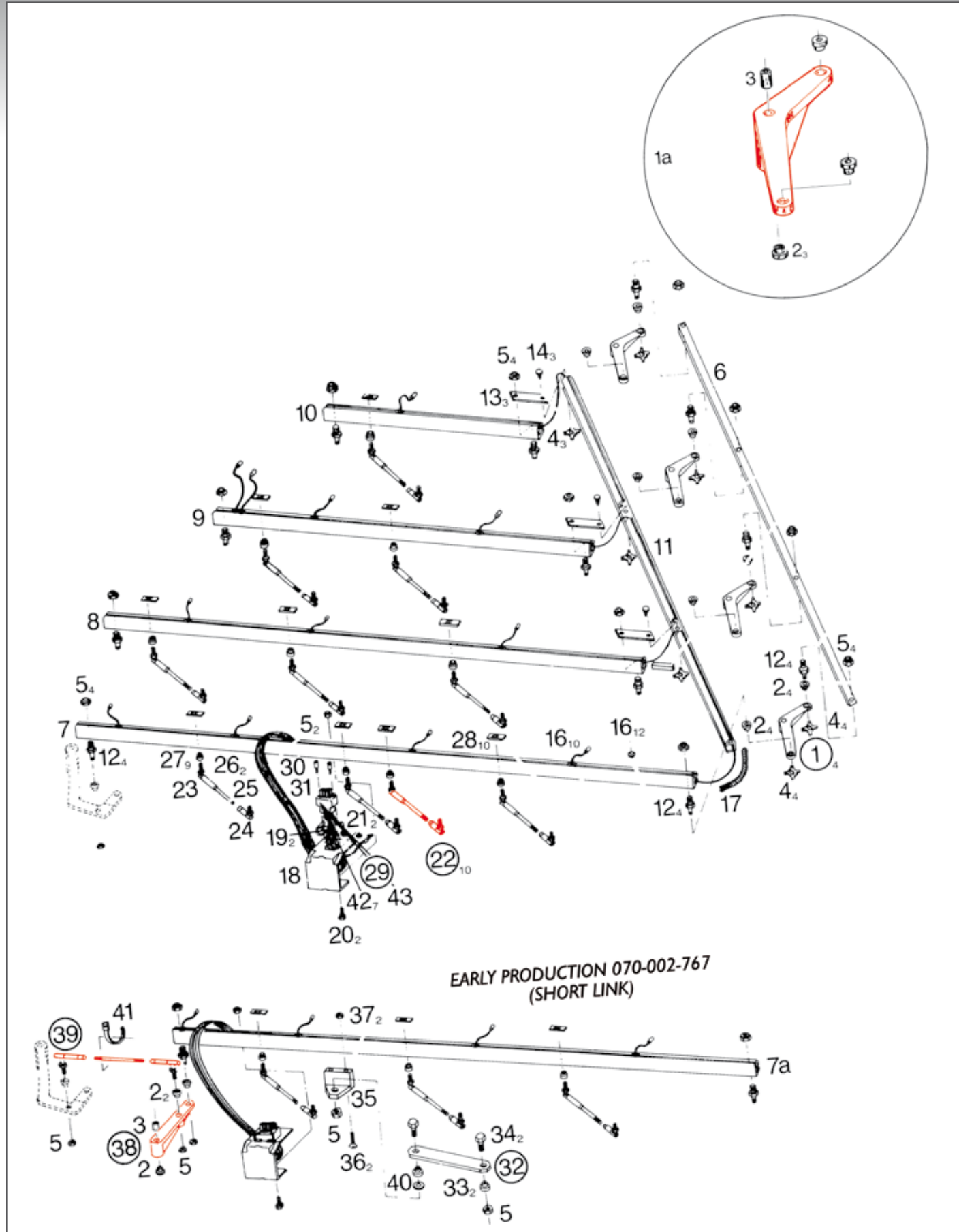
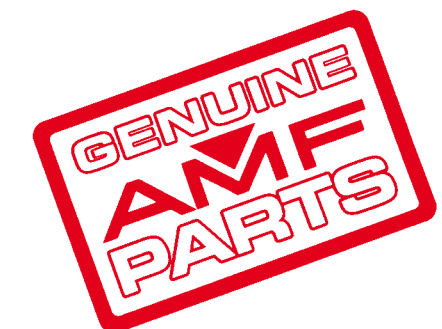


TABLE WIREWAY ASSEMBLY

ITEM	PART NUMBER	DESCRIPTION	ITEM	PART NUMBER	DESCRIPTION
1	070007623	Lever Respot Assembly	24	730023015	Shell
1A	070002678	Lever Respot Assy	25	070002814	Link Assembly
2	070002653BG	Bearing Fl .252 X .315 X .38 (Bag 20)	26	730027019	Stud-Ball 1/4-20
3	070002652BG	Bearing Sl .252 X .315 X .5 Lg (Bag 20)	27	070002815BG	Bearing .252 X .318 X .307 Lg (Bag 10)
4	963200002BG	Washer-X 1/8 9000-8 (Bag 10)	28	724507002BG	Tin-Nut C-160-1420 (Bag 10)
5	844049002BG	1/4-20 Lock Nut (Bag 10)	29	070005602	Cbl-Table
6	070002671	Link Resp Conn	30	000028442BG	Guide Pin (Bag 10)
7*	070006669	Link Respot	31	000028441BG	Guide Socket (Bag 10)
8	070002768	Link-Table Assembly	32	070002582	Drive Link Assembly-Rear
9	070002768	Link-Table Assy	33	900205053BG	Bearing Fl .315 X .44 X 5/16 (Bag 5)
10	070002770	Link-Table Assembly	34	070002619	Pin Actuator Shaft
11	070002766	Link-Table Assembly	35	610704010	Table Cable Replacement Kit
12	070002774BG	Pin (Bag 2)	36	812039162BG	Screw-Flhd 10-24 X 1 (Bag 10)
13	070002771	Plate-Table	37	839539002BG	Nut-Fix-Tk *10-24 Ht (Bag 10)
14	070002772BG	Pin-Table (Bag 10)	38	610704010	Table Cable Replacement Kit
16	070002773BG	Grommet-Table Assy (Bag 10)		070006669	Link Respot
17	770008009	Spirap-Poly-5 Ft Strip	39	070002813	Respot Link
18	090002538	Table Connector Bracket	40	000026865BG	Washer (Bag 10)
19	000025556BG	Catch Spring Lock (Bag 2)	41	770011029	Tyrap-7.31 Inch Lg
20	809849085	Screw-Hex 1/4-20 X 1/2	42	000025079	Block-Term Amp 201355-1
21	834821000BG	4-40 Hex Brass Nut (Bag 10)	43	760011197BG	Term-Pin.062 Dia Lp (Bag 10)
22	070002814	Link Assembly	44	610704010	Table Cable Replacement Kit
23	730036025	Clip-Silver			
23A	730035025	Clip-Ball-Joint Brss			

\* Short Link is no longer available. Use item 7 as replacement.





**WORLDWIDE HEADQUARTERS**

8100 AMF Drive - Mechanicsville, VA 23111 - USA - Tel. (804) 569-1000 - Fax: (804) 559-8650 - Toll free 1-866-460-QAMF (7263)

**EUROPEAN HEADQUARTERS**

Via della Croce Coperta, 15 - 40128 Bologna - Italy - Tel. +39 051.4192.611 - Fax +39 051.4192.602

**[www.qubicaamf.com](http://www.qubicaamf.com) - [info@qubicaamf.com](mailto:info@qubicaamf.com)**